

Technical sheet :

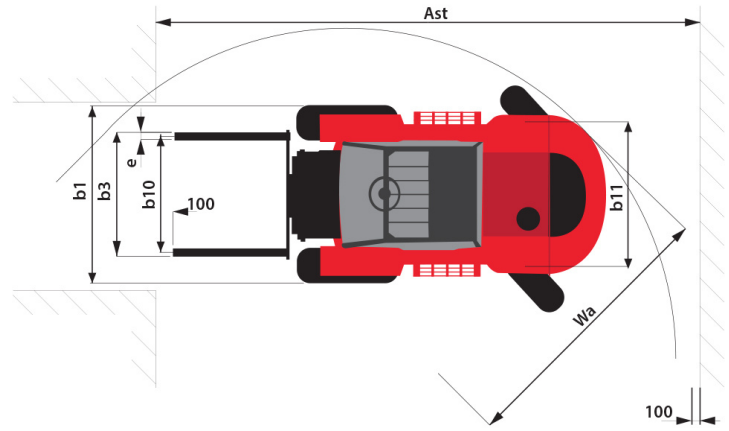
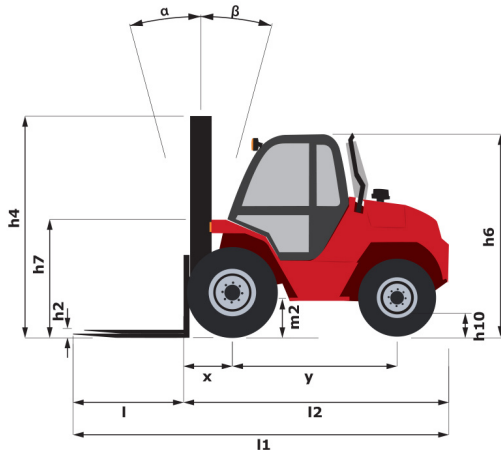
# **M 26-2 H**

---



Technical characteristics			Metric	Imperial
1.1	Manufacturer		Manitou	Manitou
1.2	Model Name		M 26-2 H	M 26-2 H
1.3	Power source		Diesel	Diesel
1.4	Operator type		Seated	Seated
1.5	Max. capacity	Q	2600 kg	5732 lbs
1.6	Load centre of gravity	c	500 mm	1 ft 8 in
1.8	Load distance, centre of drive axle to fork	x	747 mm	2 ft 5 in
1.9	Wheelbase	y	1995 mm	6 ft 7 in
Weight				
2.1	Service weight		5645 kg	12445 lbs
2.2	Weight on front axle (laden) / rear axle (laden)		4200 kg / 1005 kg	9259 lbs / 2215 lbs
2.3	Weight on front axle (Unladen) / rear axle (Unladen)		2740 kg / 2905 kg	6040 lbs / 6404 lbs
Wheels				
3.1	Tyres type		Pneumatic	Pneumatic
3.2	Dimensions of front wheels		14,5R20 18PR MPT81	14,5R20 18PR MPT81
3.3	Dimensions of rear wheels		10T17,5 G291 GY	10T17,5 G291 GY
3.5	Number of front wheels / rear wheels		2 / 2	2 / 2
3.5.2	Number of drive wheels		2	2
3.6	Front wheel gauge	b10	1550 mm	5 ft 1 in
3.7	Rear wheel gauge	b11	1570 mm	5 ft 2 in
Dimensions				
4.1	Tilt of Mast Forward (deg) / Backward (deg)	$\alpha / \beta$	6 / 12	6 / 12
4.7	Height of overhead guard (cabin)	h6	2507 mm	8 ft 3 in
4.8	Seat height/stand height	h7	1484 mm	4 ft 10 in
4.12	Height of towing bar (coupling height)	h10	735 mm	2 ft 5 in
4.19	Overall length	l1	4701 mm	15 ft 5 in
4.20	Length to face of forks	l2	3501 mm	11 ft 6 in
4.21	Overall width	b1	1923 mm	6 ft 4 in
4.21	Overall width - Single wheels	b1	1923 mm	6 ft 4 in
4.22	Forks section / width / length	s / e / l	40 mm x 125 mm / 1200 mm	2 in x 5 in / 3 ft 11 in
4.23	Fork carriage ISO 2328 (class/form) A/B		3	3
4.24	Fork carriage width	b3	1470 mm	4 ft 10 in
4.31	Ground clearance below mast	m1	460 mm	1 ft 6 in
4.32	Ground clearance at centre of wheelbase	m2	440 mm	1 ft 5 in
4.34	Aisle width for 800 x 1200 pallet lengthways	Ast	5360 mm	17 ft 7 in
4.36	Internal turning radius (over tyres)	b13	300 mm	1 ft
Performances				
5.1	Travel speed (laden / unladen)		10 km/h / 22 km/h	6.2 mph / 13.6 mph
5.2.1	Lifting speed (unladen)		0.3 m/s	0.98 ft/s
5.3.1	Lowering speed (unladen)		0.4 m/s	1.31 ft/s
5.7	Gradeability (laden / unladen)		14 % / 21 %	14 % / 21 %
5.10	Service brake		Hydraulic	Hydraulic
Engine				
7.1	Engine brand / model		Perkins / 854F-E34T	Perkins / 854F-E34T
7.2	Engine power according to ISO 1585		55 kW	55 kW
7.3	Rated speed		2200 rpm	2200 rpm
7.4	Number of cylinders / Capacity of cylinders		4 - 3400 cm <sup>3</sup>	4 - 207.48 in <sup>3</sup>
7.5	Fuel consumption according to VDI cycle		6.2 l/h	6.2 l/h
Miscellaneous				
8.2	Working hydraulic pressure for attachments		185 Bar	12 PSI
8.3	Oil flow rate for attachments		97 l/min	97 l/min
8.4	Measured/guaranteed mean noise level at the ear of the operator		< 76 dB(A)	< 76 dB(A)

# Dimensional drawing





Siège Social

430 rue de l'Aubinière - 44150 Ancenis Cedex - France

Tel: +33(0)2 40 09 10 11 - Fax: +33 (0)2 40 09 10 97

[www.manitou.com](http://www.manitou.com)



This brochure describes versions and configuration options for Manitou products which may be fitted with different equipment. The equipment described in this brochure may be standard, optional or not available depending on version. Manitou reserves the right to change the specifications shown and described at any time and without prior warning. The manufacturer is not liable for the specifications given. For more information, contact your Manitou dealer. Non-contractual document. Product descriptions may differ from actual products. List of specifications is not comprehensive. The logos and visual identity of the company are the property of Manitou and may not be used without authorisation. All rights reserved. The photos and diagrams contained in this brochure are provided for information only.

MANITOU BF SA - Limited company with board of directors - Share capital: 39,668,399 euros - 857 802 508 RCS Nantes