

Technical sheet :

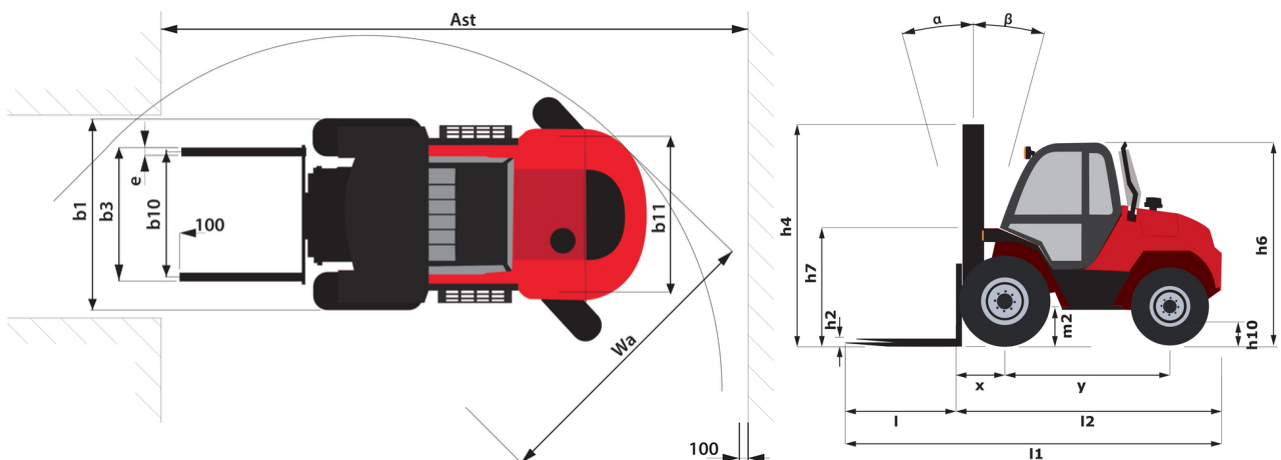
M 40-4



 **MANITOU**
HANDLING YOUR WORLD

Technical characteristics			Metric	Imperial
1.1	Manufacturer		Manitou	Manitou
1.2	Model Name		M 40-4	M 40-4
1.3	Power source		Diesel	Diesel
1.4	Operator type		Seated	Seated
1.5	Max. capacity	Q	4000 kg	8818 lb
1.6	Load center of gravity	c	500 mm	20 in
1.8	Load distance, centre of drive axle to fork	x	763 mm	30 in
1.9	Wheelbase	y	2120 mm	83 in
Weight				
2.1	Service weight		6965 kg	15355 lb
2.2	Weight on front axle (laden) / rear axle (laden)		9010 kg / 1955 kg	19864 lb / 4310 lb
2.3	Weight on front axle (Unladen) / rear axle (Unladen)		2625 kg / 4340 kg	5787 lb / 9568 lb
Wheels				
3.1	Tires type		Pneumatic	Pneumatic
3.2	Dimensions of front wheels		18-22.5 MPT06	18-22.5 MPT06
3.3	Dimensions of rear wheels		340/80 R18 XMCL	340/80 R18 XMCL
3.5	Number of front wheels / rear wheels		2 / 2	2 / 2
3.5.2	Number of drive wheels		4	4
3.6	Front wheel gauge	b10	1620 mm	64 in
3.7	Rear wheel gauge	b11	1740 mm	69 in
Dimensions				
4.7	Height of overhead guard (cabin)	h6	2500 mm	98 in
4.8	Seat height/stand height	h7	1480 mm	58 in
4.19	Overall length	l1	4858 mm	191 in
4.20	Length to face of forks	l2	3658 mm	144 in
4.21	Overall width	b1	2080 mm	82 in
4.22	Forks section x width x length	s / e / l	50 mm x 150 mm / 1200 mm	2 in x 6 in / 47 in
4.23	Fork carriage ISO 2328 (class/form) A/B		3A	3A
4.24	Fork carriage width	b3	1670 mm	66 in
4.31	Ground clearance below mast	m1	295 mm	12 in
4.32	Ground clearance at centre of wheelbase	m2	380 mm	15 in
4.34	Aisle width for 800 x 1200 pallet lengthways	Ast	6732 mm	265 in
4.35	Turning radius	Wa	4570 mm	180 in
Performances				
5.1	Travel speed (laden / unladen)		10 km/h / 24 km/h	6 mph / 15 mph
5.2	Lifting speed (laden / unladen)		0.40 m/s / 0.40 m/s	1 ft/s / 1 ft/s
5.3	Lowering speed (laden / unladen)		0.40 m/s / 0.30 m/s	1 ft/s / 0.98 ft/s
5.5	Drawbar pull (Laden)		1020 daN	1020 daN
5.10	Service brake		Hydraulic	Hydraulic
Engine				
7.2	I.C. Engine power rating		55 kW	55 kW
7.1	Engine brand / model		Perkins / 854F-E34T WF	Perkins / 854F-E34T WF
7.3	Rated speed		2200 rpm	2200 rpm
7.4	Number of cylinders / Capacity of cylinders		4 - 3400 cm³	4 - 207 in³
Miscellaneous				
8.2	Working hydraulic pressure for attachments		210 bar	3046 PSI
8.3	Oil flow rate for attachments		97 l/min	26 US gpm
8.4	Sound level at the driver's ear according to DIN 12 053		76 dB	76 dB

M 40-4 - Dimensional drawing





Head Office

B.P. 249 - 430 rue de l'Aubinière

44150 Ancenis Cedex - France

Tel: +33 (0)2 40 09 10 11 - Fax: +33 (0)2 40 09 10 97

www.manitou.com



This publication provides a description of the configuration versions and options for Manitou products, which may differ for equipment. The equipment presented in this brochure may be part of a series, as an option, or it may not be available, depending on the versions. Manitou reserves the right, at any time and without notice, to amend the specifications described and represented. The specifications provided do not bind the manufacturer. For more details, please contact your Manitou agent. This is not a contractually binding document. The presentation of the products is not contractually binding. List of specifications non-exhaustive. The logos as well as the visual identity of the company are owned by Manitou and cannot be used without authorisation. All rights reserved. The photos and diagrams contained in this brochure are only provided for consultation and information purposes.

MANITOU BF SA - Limited company with board of directors - Share capital: 39,668,399 euros - 857 802 508 RCS Nantes