

Technical sheet :

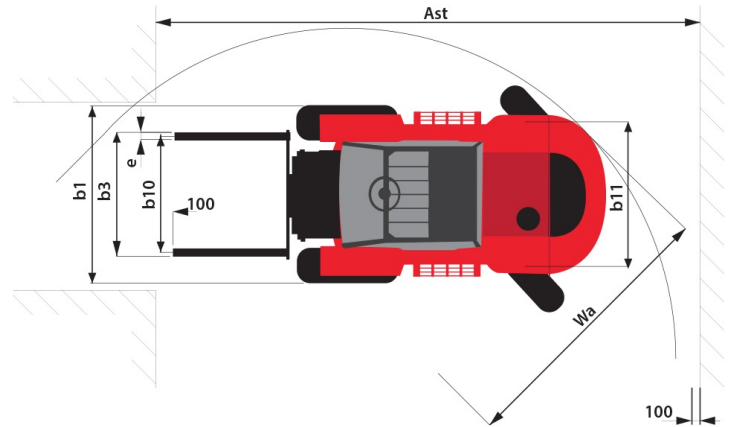
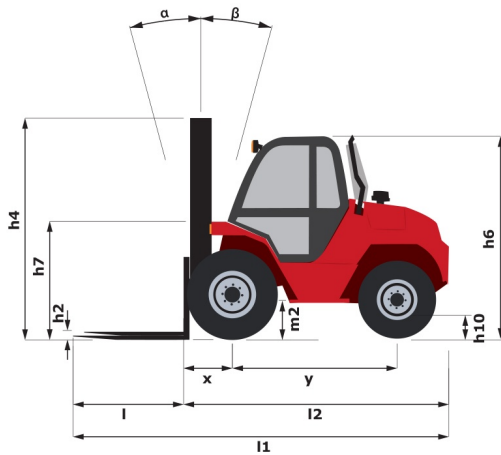
# **M 40-4**

---



Technical characteristics			Metric	Imperial
1.1	Manufacturer		Manitou	Manitou
1.2	Model Name		M 40-4	M 40-4
1.3	Power source		Diesel	Diesel
1.4	Operator type		Seated	Seated
1.5	Max. capacity	Q	4000 kg	8818 lbs
1.6	Load centre of gravity	c	500 mm	1 ft 8 in
1.8	Load distance, centre of drive axle to fork	x	763 mm	2 ft 6 in
1.9	Wheelbase	y	2120 mm	6 ft 11 in
Weight				
2.1	Service weight		6965 kg	15355 lbs
2.2	Weight on front axle (laden) / rear axle (laden)		9010 kg / 1955 kg	19863 lbs / 4310 lbs
2.3	Weight on front axle (Unladen) / rear axle (Unladen)		2625 kg / 4340 kg	5787 lbs / 9568 lbs
Wheels				
3.1	Tyres type		Pneumatic	Pneumatic
3.2	Dimensions of front wheels		18-22.5 MPT06	18-22.5 MPT06
3.3	Dimensions of rear wheels		340/80 R18 XMCL	340/80 R18 XMCL
3.5	Number of front wheels / rear wheels		2 / 2	2 / 2
3.5.2	Number of drive wheels		4	4
3.6	Front wheel gauge	b10	1620 mm	5 ft 4 in
3.7	Rear wheel gauge	b11	1740 mm	5 ft 9 in
Dimensions				
4.1	Tilt of Mast Forward (deg) / Backward (deg)	$\alpha / \beta$	15 / 15	15 / 15
4.7	Height of overhead guard (cabin)	h6	2500 mm	8 ft 2 in
4.8	Seat height/stand height	h7	1480 mm	4 ft 10 in
4.12	Height of towing bar (coupling height)	h10	760 mm	2 ft 6 in
4.19	Overall length	l1	4858 mm	15 ft 11 in
4.20	Length to face of forks	l2	3658 mm	12 ft
4.21	Overall width	b1	2080 mm	6 ft 10 in
4.21	Overall width - Single wheels	b1	2080 mm	6 ft 10 in
4.22	Forks section / width / length	s / e / l	50 mm x 150 mm / 1200 mm	2 in x 6 in / 3 ft 11 in
4.23	Fork carriage ISO 2328 (class/form) A/B		FEM3	FEM3
4.24	Fork carriage width	b3	1670 mm	5 ft 6 in
4.31	Ground clearance below mast	m1	295 mm	1 ft
4.32	Ground clearance at centre of wheelbase	m2	380 mm	1 ft 3 in
4.34	Aisle width for 800 x 1200 pallet lengthways	Ast	6732 mm	22 ft 1 in
4.35	Turning radius	Wa	4570 mm	15 ft
4.36	Internal turning radius (over tyres)	b13	1650 mm	5 ft 5 in
Performances				
5.1	Travel speed (laden / unladen)		10 km/h / 24 km/h	6.2 mph / 14.9 mph
5.2	Lifting speed (laden / unladen)		0.4 m/s / 0.4 m/s	1.31 ft/s / 1.31 ft/s
5.3	Lowering speed (laden / unladen)		0.4 m/s / 0.3 m/s	1.31 ft/s / 0.98 ft/s
5.5	Drawbar pull (Laden)		1020 daN	1020 daN
5.10	Service brake		Hydraulic	Hydraulic
Engine				
7.1	Engine brand / model		Perkins / 854F-E34T WF	Perkins / 854F-E34T WF
7.2	Engine power according to ISO 1585		55 kW	55 kW
7.3	Rated speed		2200 rpm	2200 rpm
7.4	Number of cylinders / Capacity of cylinders		4 - 3400 cm <sup>3</sup>	4 - 207.48 in <sup>3</sup>
7.5	Fuel consumption according to VDI cycle		6.9 l/h	6.9 l/h
Miscellaneous				
8.2	Working hydraulic pressure for attachments		210 Bar	14 PSI
8.3	Oil flow rate for attachments		97 l/min	97 l/min
8.4	Measured/guaranteed mean noise level at the ear of the operator		< 76 dB(A)	< 76 dB(A)

## Dimensional drawing



## Characteristics of masts and residual capacities

Full Visibility Duplex		FVD 30	FVD 33	FVD 35	FVD 37	FVD 40	FVD 45	FVD 50
h1 - Height mast lowered *	mm	2425	2575	2675	2775	2925	3175	3425
h2 - Free lift	mm	0	0	0	0	0	0	0
h3 - Lifting Height	mm	3000	3300	3500	3700	4000	4500	5000
h4 - Height mast extended *	mm	3977	4277	4477	4677	4977	5477	5977
$\alpha / \beta$ - Mast inclination (front / rear)	°	15 / 15	15 / 15	15 / 15	15 / 15	15 / 15	15 / 15	15 / 15
Residual capacity at max height	kg	4000	4000	4000	4000	4000	4000	3800
Residual capacity without attachment (Industrial load chart)	kg	4000	4000	4000	4000	4000	4000	3800
Residual capacity with integrated side shift (Industrial load chart)	kg	4000	4000	4000	4000	4000	4000	3400

Free Lift Triplex		FLT 37	FLT 40	FLT 43	FLT 45	FLT 47	FLT 50	FLT 55	FLT 60
h1 - Height mast lowered *	mm	2175	2275	2375	2450	2510	2625	2775	2950
h2 - Free lift	mm	1258	1258	1458	1533	1593	1708	1858	2033
h3 - Lifting Height	mm	3700	4000	4300	4500	4700	5000	5500	6000
h4 - Height mast extended *	mm	4677	4967	5267	5467	5667	5967	6467	6967
$\alpha / \beta$ - Mast inclination (front / rear)	°	15 / 15	15 / 15	15 / 15	15 / 15	15 / 15	15 / 15	15 / 15	15 / 15
Residual capacity at max height	kg	4000	4000	4000	4000	3800	3700	3200	2600
Residual capacity without attachment (Industrial load chart)	kg	4000	4000	4000	4000	3800	3700	3200	2600
Residual capacity with integrated side shift (Industrial load chart)	kg	4000	4000	4000	4000	3400	3300	2900	2350



Siège Social

430 rue de l'Aubinière - 44150 Ancenis Cedex - France

Tel: +33(0)2 40 09 10 11 - Fax: +33 (0)2 40 09 10 97

[www.manitou.com](http://www.manitou.com)



This brochure describes versions and configuration options for Manitou products which may be fitted with different equipment. The equipment described in this brochure may be standard, optional or not available depending on version. Manitou reserves the right to change the specifications shown and described at any time and without prior warning. The manufacturer is not liable for the specifications given. For more information, contact your Manitou dealer. Non-contractual document. Product descriptions may differ from actual products. List of specifications is not comprehensive. The logos and visual identity of the company are the property of Manitou and may not be used without authorisation. All rights reserved. The photos and diagrams contained in this brochure are provided for information only.

MANITOU BF SA - Limited company with board of directors - Share capital: 39,668,399 euros - 857 802 508 RCS Nantes