

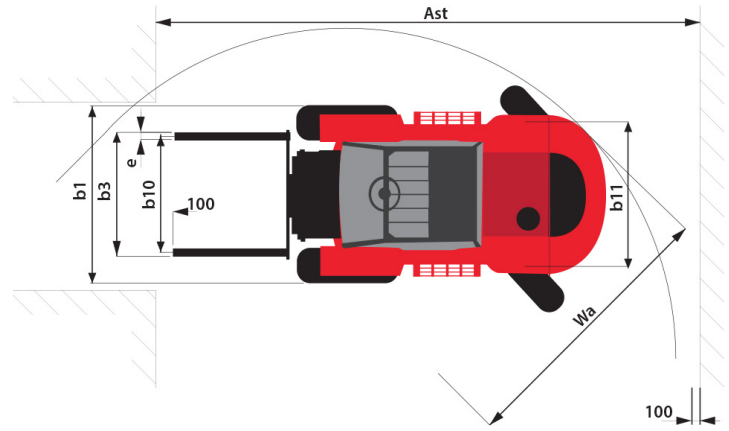
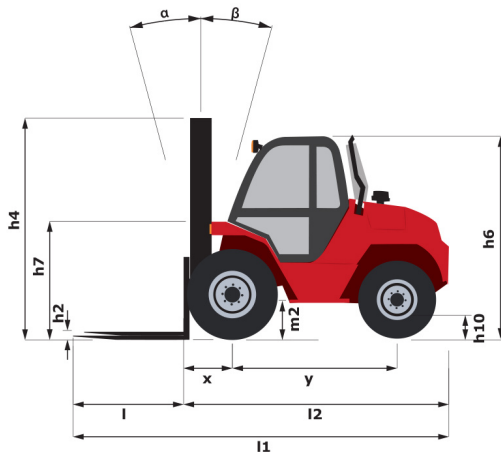
Technical sheet :

M 50-2 H



Technical characteristics			Metric	Imperial
1.1	Manufacturer		Manitou	Manitou
1.2	Model Name		M 50-2 H	M 50-2 H
1.3	Power source		Diesel	Diesel
1.4	Operator type		Seated	Seated
1.5	Max. capacity	Q	5000 kg	11023 lbs
1.6	Load centre of gravity	c	600 mm	2 ft
1.8	Load distance, centre of drive axle to fork	x	773 mm	2 ft 6 in
1.9	Wheelbase	y	2060 mm	6 ft 9 in
Weight				
2.1	Service weight		8275 kg	18243 lbs
2.2	Weight on front axle (laden) / rear axle (laden)		11615 kg / 1660 kg	25606 lbs / 3659 lbs
2.3	Weight on front axle (Unladen) / rear axle (Unladen)		3285 kg / 4990 kg	7242 lbs / 11001 lbs
Wheels				
3.1	Tyres type		Foam Filled Non Marking	Foam Filled Non Marking
3.2	Dimensions of front wheels		18-19,5 18PR A224	18-19,5 18PR A224
3.3	Dimensions of rear wheels		10R17,5 G291 GY	10R17,5 G291 GY
3.5	Number of front wheels / rear wheels		2 / 2	2 / 2
3.5.2	Number of drive wheels		2	2
3.6	Front wheel gauge	b10	1600 mm	5 ft 3 in
3.7	Rear wheel gauge	b11	1640 mm	5 ft 5 in
Dimensions				
4.1	Tilt of Mast Forward (deg) / Backward (deg)	α / β	15 / 15	15 / 15
4.7	Height of overhead guard (cabin)	h6	2460 mm	8 ft 1 in
4.8	Seat height/stand height	h7	1380 mm	4 ft 6 in
4.12	Height of towing bar (coupling height)	h10	690 mm	2 ft 3 in
4.19	Overall length	l1	4948 mm	16233 ft 7 in
4.20	Length to face of forks	l2	3748 mm	12 ft 4 in
4.21	Overall width	b1	2057 mm	6 ft 9 in
4.21	Overall width - Single wheels	b1	2057 mm	6 ft 9 in
4.22	Forks section / width / length	s / e / l	60 mm x 150 mm / 1200 mm	2 in x 6 in / 3 ft 11 in
4.24	Fork carriage width	b3	1670 mm	5 ft 6 in
4.31	Ground clearance below mast	m1	250 mm	10 in
4.32	Ground clearance at centre of wheelbase	m2	310 mm	1 ft
4.34	Aisle width for 800 x 1200 pallet lengthways	Ast	5640 mm	18 ft 6 in
4.35	Turning radius	Wa	3465 m	11368 ft 1 in
4.36	Internal turning radius (over tyres)	b13	200 mm	8 in
Performances				
5.1	Travel speed (laden / unladen)		10 km/h / 24 km/h	6.2 mph / 14.9 mph
5.2	Lifting speed (laden / unladen)		0.4 m/s / 0.4 m/s	1.31 ft/s / 1.31 ft/s
5.3	Lowering speed (laden / unladen)		0.4 m/s / 0.3 m/s	1.31 ft/s / 0.98 ft/s
5.5	Drawbar pull (Laden)		7410 daN	7410 daN
5.10	Service brake		Hydraulic	Hydraulic
Engine				
7.1	Engine brand / model		Perkins / 854F-E34T WF	Perkins / 854F-E34T WF
7.2	Engine power according to ISO 1585		55 kW	55 kW
7.3	Rated speed		2200 rpm	2200 rpm
7.4	Number of cylinders		4	4
7.5	Fuel consumption according to VDI cycle		6.9 l/h	6.9 l/h
Miscellaneous				
8.2	Working hydraulic pressure for attachments		230 Bar	15 PSI
8.3	Oil flow rate for attachments		97 l/min	97 l/min
8.4	Measured/guaranteed mean noise level at the ear of the operator		< 76 dB(A)	< 76 dB(A)

Dimensional drawing





Siège Social

430 rue de l'Aubinière - 44150 Ancenis Cedex - France

Tel: +33(0)2 40 09 10 11 - Fax: +33 (0)2 40 09 10 97

www.manitou.com



This brochure describes versions and configuration options for Manitou products which may be fitted with different equipment. The equipment described in this brochure may be standard, optional or not available depending on version. Manitou reserves the right to change the specifications shown and described at any time and without prior warning. The manufacturer is not liable for the specifications given. For more information, contact your Manitou dealer. Non-contractual document. Product descriptions may differ from actual products. List of specifications is not comprehensive. The logos and visual identity of the company are the property of Manitou and may not be used without authorisation. All rights reserved. The photos and diagrams contained in this brochure are provided for information only.

MANITOU BF SA - Limited company with board of directors - Share capital: 39,668,399 euros - 857 802 508 RCS Nantes