

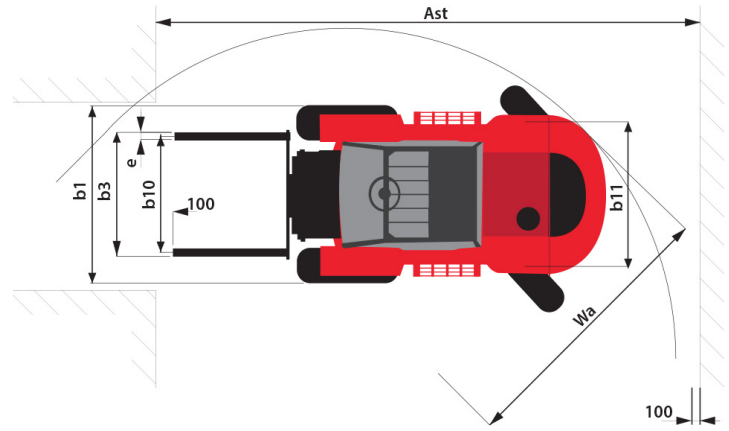
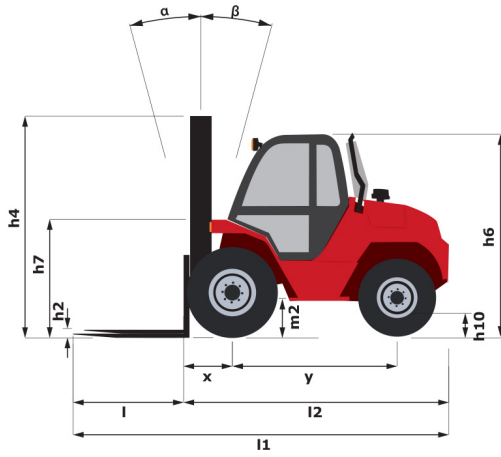
Technical sheet :

M 50-2 H



| Technical characteristics | | | Metric | Imperial |
|---------------------------|---|------------------|--------------------------|--------------------------|
| 1.1 | Manufacturer | | Manitou | Manitou |
| 1.2 | Model Name | | M 50-2 H | M 50-2 H |
| 1.3 | Power source | | Diesel | Diesel |
| 1.4 | Operator type | | Seated | Seated |
| 1.5 | Max. capacity | Q | 5000 kg | 11023 lbs |
| 1.6 | Load centre of gravity | c | 600 mm | 2 ft |
| 1.8 | Load distance, centre of drive axle to fork | x | 773 mm | 2 ft 6 in |
| 1.9 | Wheelbase | y | 2060 mm | 6 ft 9 in |
| Weight | | | | |
| 2.1 | Service weight | | 8275 kg | 18243 lbs |
| 2.2 | Weight on front axle (laden) / rear axle (laden) | | 11615 kg / 1660 kg | 25606 lbs / 3659 lbs |
| 2.3 | Weight on front axle (Unladen) / rear axle (Unladen) | | 3285 kg / 4990 kg | 7242 lbs / 11001 lbs |
| Wheels | | | | |
| 3.1 | Tyres type | | Foam Filled Non Marking | Foam Filled Non Marking |
| 3.2 | Dimensions of front wheels | | 18-19,5 18PR A224 | 18-19,5 18PR A224 |
| 3.3 | Dimensions of rear wheels | | 10R17,5 G291 GY | 10R17,5 G291 GY |
| 3.5 | Number of front wheels / rear wheels | | 2 / 2 | 2 / 2 |
| 3.5.2 | Number of drive wheels | | 2 | 2 |
| 3.6 | Front wheel gauge | b10 | 1600 mm | 5 ft 3 in |
| 3.7 | Rear wheel gauge | b11 | 1640 mm | 5 ft 5 in |
| Dimensions | | | | |
| 4.1 | Tilt of Mast Forward (deg) / Backward (deg) | α / β | 15 / 15 | 15 / 15 |
| 4.7 | Height of overhead guard (cabin) | h6 | 2460 mm | 8 ft 1 in |
| 4.8 | Seat height/stand height | h7 | 1380 mm | 4 ft 6 in |
| 4.12 | Height of towing bar (coupling height) | h10 | 690 mm | 2 ft 3 in |
| 4.19 | Overall length | l1 | 4948 m | 16233 ft 7 in |
| 4.20 | Length to face of forks | l2 | 3748 mm | 12 ft 4 in |
| 4.21 | Overall width | b1 | 2057 mm | 6 ft 9 in |
| 4.21 | Overall width - Single wheels | b1 | 2057 mm | 6 ft 9 in |
| 4.22 | Forks section / width / length | s / e / l | 60 mm x 150 mm / 1200 mm | 2 in x 6 in / 3 ft 11 in |
| 4.24 | Fork carriage width | b3 | 1670 mm | 5 ft 6 in |
| 4.31 | Ground clearance below mast | m1 | 250 mm | 10 in |
| 4.32 | Ground clearance at centre of wheelbase | m2 | 310 mm | 1 ft |
| 4.34 | Aisle width for 800 x 1200 pallet lengthways | Ast | 5640 mm | 18 ft 6 in |
| 4.35 | Turning radius | Wa | 3465 m | 11368 ft 1 in |
| 4.36 | Internal turning radius (over tyres) | b13 | 200 mm | 8 in |
| Performances | | | | |
| 5.1 | Travel speed (laden / unladen) | | 10 km/h / 24 km/h | 6.2 mph / 14.9 mph |
| 5.2 | Lifting speed (laden / unladen) | | 0.4 m/s / 0.4 m/s | 1.31 ft/s / 1.31 ft/s |
| 5.3 | Lowering speed (laden / unladen) | | 0.4 m/s / 0.3 m/s | 1.31 ft/s / 0.98 ft/s |
| 5.5 | Drawbar pull (Laden) | | 7410 daN | 7410 daN |
| 5.10 | Service brake | | Hydraulic | Hydraulic |
| Engine | | | | |
| 7.1 | Engine brand / model | | Perkins / 854F-E34T WF | Perkins / 854F-E34T WF |
| 7.2 | Engine power according to ISO 1585 | | 55 kW | 55 kW |
| 7.3 | Rated speed | | 2200 rpm | 2200 rpm |
| 7.4 | Number of cylinders | | 4 | 4 |
| 7.5 | Fuel consumption according to VDI cycle | | 6.9 l/h | 6.9 l/h |
| Miscellaneous | | | | |
| 8.2 | Working hydraulic pressure for attachments | | 230 Bar | 15 PSI |
| 8.3 | Oil flow rate for attachments | | 97 l/min | 97 l/min |
| 8.4 | Measured/guaranteed mean noise level at the ear of the operator | | < 76 dB(A) | < 76 dB(A) |

Dimensional drawing





Siège Social

430 rue de l'Aubinière - 44150 Ancenis Cedex - France

Tel: +33(0)2 40 09 10 11 - Fax: +33 (0)2 40 09 10 97

www.manitou.com



This brochure describes versions and configuration options for Manitou products which may be fitted with different equipment. The equipment described in this brochure may be standard, optional or not available depending on version. Manitou reserves the right to change the specifications shown and described at any time and without prior warning. The manufacturer is not liable for the specifications given. For more information, contact your Manitou dealer. Non-contractual document. Product descriptions may differ from actual products. List of specifications is not comprehensive. The logos and visual identity of the company are the property of Manitou and may not be used without authorisation. All rights reserved. The photos and diagrams contained in this brochure are provided for information only.

MANITOU BF SA - Limited company with board of directors - Share capital: 39,668,399 euros - 857 802 508 RCS Nantes