

Technical sheet :

260 TJ+ ST5



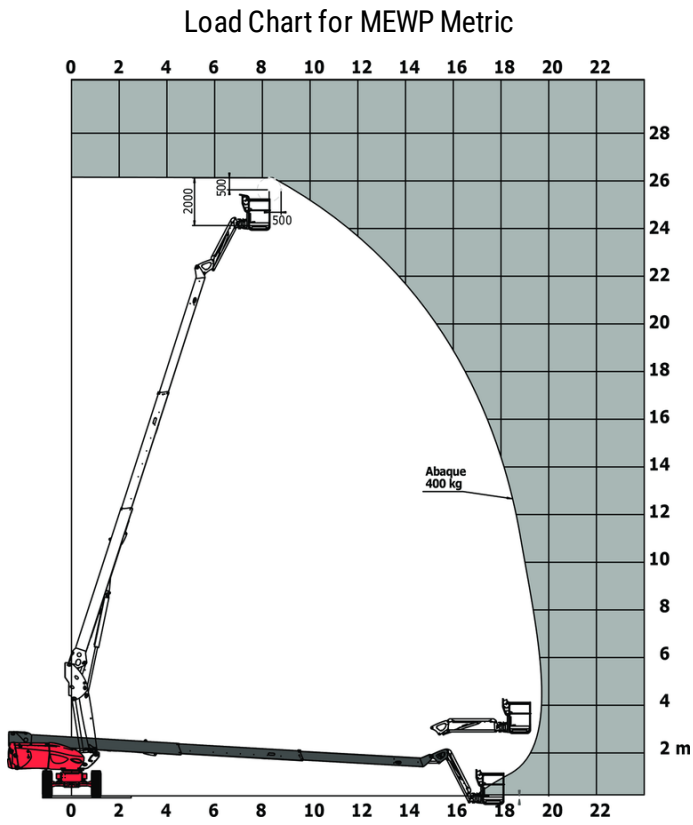
 **MANITOU**
HANDLING YOUR WORLD

Capacities		Metric	Imperial
Working height	h21	25.89 m	84 ft 11 in
Floor height (access)	h20	0.48 m	1 ft 7 in
Platform height	h7	23.89 m	78 ft 5 in
Max. outreach		19.70 m	64 ft 8 in
Pendular arm rotation (top / bottom)		+70.30 ° / -63 °	+70.30 ° / -63 °
Platform capacity	Q	408 kg	899 lb
Turret rotation		360 °	360 °
Platform rotation (right / left)		90 ° / 90 °	90 ° / 90 °
Number of people (indoor / outdoor)		3 / 3	3 / 3
Weight and dimensions			
Platform weight*		16400 kg	36156 lb
Platform dimensions (length x width)	lp / ep	2.30 m x 0.90 m	7 ft 7 in x 2 ft 11 in
Overall length	l1	10.84 m	35 ft 7 in
Overall width	b1	2.48 m	8 ft 2 in
Overall height	h17	2.71 m	8 ft 11 in
Overall length (stowed)	l9	7.88 m	25 ft 10 in
Overall height (stowed)	h18 ***	2.80 m	9 ft 2 in
Jib length	l13	2.40 m	7 ft 10 in
Counterweight offset (turret at 90Å°)	a7	1.43 m	4 ft 8 in
External turning radius	Wa3	4.35 m	14 ft 3 in
Ground clearance at centre of wheelbase	m2	0.42 m	1 ft 5 in
Wheelbase	y	2.80 m	9 ft 2 in
Performances			
Drive speed - stowed		4.50 km/h	3 mph
Drive speed - raised		0.80 km/h	0.50 mph
Gradeability		35 %	35 %
Permissible leveling		4 °	4 °
Wheels			
Tires type		Solid Tires Cured-On	Solid Tires Cured-On
Standard tires		1025 x 365 mm	1025 x 365 mm
Drive wheels (front / rear)		2 / 2	2 / 2
Steering wheels (front / rear)		2 / 2	2 / 2
Braking wheels (front / rear)		2 / 2	2 / 2
Engine/Battery			
Engine brand / model		Yanmar - 4TNV88C	Yanmar - 4TNV88C
Engine nom		Stage V	Stage V
I.C. Engine power rating / Power		46 Hp / 34.30 kW	46 Hp / 34.30 kW
Miscellaneous			
Ground Pressure		21.30 dan/cm2	309 PSI
Hydraulic Pressure		400 bar	5802 PSI
Hydraulic tank capacity		94 l	25 US gal
Fuel tank		76 l	20 US gal
Noise to environment (LWA)		< 105 dB	< 105 dB
Standards compliance			
This machine is in compliance with:		European directives: 2006/42/EC- Machinery (revised EN280:2013) - 2004/108/EC (EMC) - 2006/95/EC (Low voltage)	European directives: 2006/42/EC- Machinery (revised EN280:2013) - 2004/108/EC (EMC) - 2006/95/EC (Low voltage)

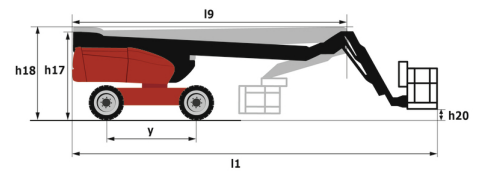
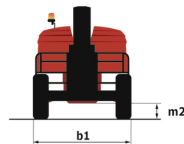
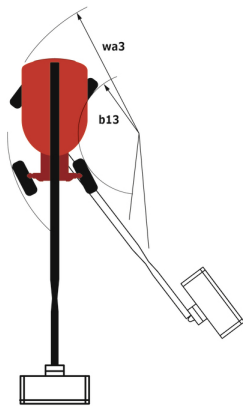
*Varies according to options and standards of the country to which the machine is delivered

** According to "REDUCE cycle"

260 TJ+ ST5 - Load chart



260 TJ+ ST5 - Dimensional drawing



Equipment

Standard

230V Predisposition
4 simultaneous movements
4 wheel drive
4 wheel steer with crab mode
Audible alarm and illuminated indicator lamp (leveling, overload, lowering)
Backup electrical pump
Connected machine
Continuous turret rotation
Differential locking on rear axle
Easy Manager
Electronic platform compensation
Emergency stop button in platform and on frame
Engine mounted on sliding platform
Engine with DPF
Front axle with limited slip
Fuel gauge with low level indicator
Hour meter
Integrated diagnostic assistance
LED rotating beacon
Large basket with three entries
Operator presence pedal
Oscillating front axle
Remote control for transport
Stop & Go system
Turret orientation information
X Y function

Optional

Additional storage boxes
Battery blanket
Battery charger
Battery cut-off
Biodegradable hydraulic oil - Grade 32
Engine Block Heater
Hydraulic oil heater
Key lock on fuel tank
Large basket 2.30m with lateral door
Narrow basket 1.80m
Non-marking tyres
On-board generator (3,5 or 5 kW)
Panel cradle
Pipe cradle
Safety kit - Harness + helmet
Safety valve
Secondary Protection System (SPS)
Socket 230 V + differential circuit breaker
Spark arrester
Working light



Head Office

B.P. 249 - 430 rue de l'Aubinière

44150 Ancenis Cedex - France

Tel: +33 (0)2 40 09 10 11 - Fax: +33 (0)2 40 09 10 97

www.manitou.com



This publication provides a description of the configuration versions and options for Manitou products, which may differ for equipment. The equipment presented in this brochure may be part of a series, as an option, or it may not be available, depending on the versions. Manitou reserves the right, at any time and without notice, to amend the specifications described and represented. The specifications provided do not bind the manufacturer. For more details, please contact your Manitou agent. This is not a contractually binding document. The presentation of the products is not contractually binding. List of specifications non-exhaustive. The logos as well as the visual identity of the company are owned by Manitou and cannot be used without authorisation. All rights reserved. The photos and diagrams contained in this brochure are only provided for consultation and information purposes.

MANITOU BF SA - Limited company with board of directors - Share capital: 39,668,399 euros - 857 802 508 RCS Nantes