

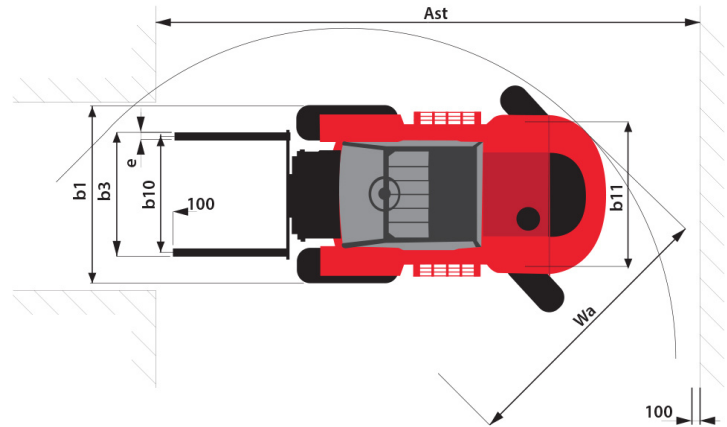
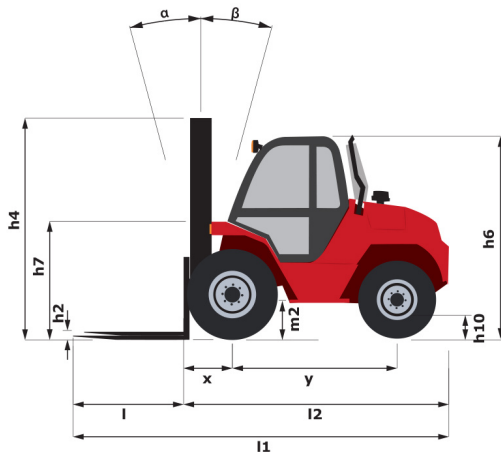
Technical sheet :

M 30-4



| Technical characteristics | | | Metric | Imperial |
|---------------------------|---|------------------|--------------------------|----------------------------|
| 1.1 | Manufacturer | | Manitou | Manitou |
| 1.2 | Model Name | | M 30-4 | M 30-4 |
| 1.3 | Power source | | Diesel | Diesel |
| 1.4 | Operator type | | Seated | Seated |
| 1.5 | Max. capacity | Q | 3000 kg | 6613 lbs |
| 1.6 | Load centre of gravity | c | 500 mm | 1 ft 8 in |
| 1.8 | Load distance, centre of drive axle to fork | x | 747 mm | 2 ft 5 in |
| 1.9 | Wheelbase | y | 1995 mm | 6 ft 7 in |
| Weight | | | | |
| 2.1 | Service weight | | 6020 kg | 13271 lbs |
| 2.2 | Weight on front axle (laden) / rear axle (laden) | | 7515 kg / 1505 kg | 16567 lbs / 3317 lbs |
| 2.3 | Weight on front axle (Unladen) / rear axle (Unladen) | | 2365 kg / 3655 kg | 5213 lbs / 8057 lbs |
| Wheels | | | | |
| 3.1 | Tyres type | | Pneumatic | Pneumatic |
| 3.2 | Dimensions of front wheels | | 400/70-20 150B T37 | 400/70-20 150B T37 |
| 3.3 | Dimensions of rear wheels | | 10,5/80-18 10PR A317TL | 10,5/80-18 10PR A317TL |
| 3.5 | Number of front wheels / rear wheels | | 2 / 2 | 2 / 2 |
| 3.5.2 | Number of drive wheels | | 4 | 4 |
| 3.6 | Front wheel gauge | b10 | 1520 mm | 5 ft |
| 3.7 | Rear wheel gauge | b11 | 1630 mm | 5 ft 4 in |
| Dimensions | | | | |
| 4.1 | Tilt of Mast Forward (deg) / Backward (deg) | α / β | 6 / 12 | 6 / 12 |
| 4.7 | Height of overhead guard (cabin) | h6 | 2496 mm | 8 ft 2 in |
| 4.8 | Seat height/stand height | h7 | 1473 mm | 4 ft 10 in |
| 4.12 | Height of towing bar (coupling height) | h10 | 760 mm | 2 ft 6 in |
| 4.19 | Overall length | l1 | 4701 mm | 15423 ft 3 in |
| 4.20 | Length to face of forks | l2 | 3501 mm | 11 ft 6 in |
| 4.21 | Overall width | b1 | 1924 mm | 6 ft 4 in |
| 4.21 | Overall width - Single wheels | b1 | 1924 mm | 6 ft 4 in |
| 4.22 | Forks section / width | s / e | 40 mm x 125 mm | 2 in x 5 in |
| 4.23 | Fork carriage ISO 2328 (class/form) A/B | | FEM3 | FEM3 |
| 4.24 | Fork carriage width | b3 | 1470 mm | 4 ft 10 in |
| 4.31 | Ground clearance below mast | m1 | 450 mm | 1 ft 6 in |
| 4.32 | Ground clearance at centre of wheelbase | m2 | 440 mm | 1 ft 5 in |
| 4.34 | Aisle width for 800 x 1200 pallet lengthways | Ast | 6180 mm | 20275 ft 7 in |
| 4.35 | Turning radius | Wa | 4030 mm | 13 ft 3 in |
| 4.36 | Internal turning radius (over tyres) | b13 | 1135 mm | 3 ft 9 in |
| Performances | | | | |
| 5.1 | Travel speed (laden / unladen) | | 10 km/h / 22 km/h | 6.2 mph / 13.6 mph |
| 5.2.1 | Lifting speed (unladen) | | 0.3 m/s | 0.98 ft/s |
| 5.3.1 | Lowering speed (unladen) | | 0.4 m/s | 1.31 ft/s |
| 5.5 | Drawbar pull (Laden / Unladen) | | 6290 daN / 4250 daN | 6290 daN / 4250 daN |
| 5.7 | Gradeability (laden / unladen) | | 14 % / 21 % | 14 % / 21 % |
| 5.10 | Service brake | | Hydraulic | Hydraulic |
| Engine | | | | |
| 7.1 | Engine brand / model | | Perkins / 854F-E34T | Perkins / 854F-E34T |
| 7.2 | Engine power according to ISO 1585 | | 55 kW | 55 kW |
| 7.3 | Rated speed | | 2200 rpm | 2200 rpm |
| 7.4 | Number of cylinders / Capacity of cylinders | | 4 - 3400 cm ³ | 4 - 207.48 in ³ |
| 7.5 | Fuel consumption according to VDI cycle | | 6.2 l/h | 6.2 l/h |
| Miscellaneous | | | | |
| 8.2 | Working hydraulic pressure for attachments | | 185 Bar | 12 PSI |
| 8.3 | Oil flow rate for attachments | | 97 l/min | 97 l/min |
| 8.4 | Measured/guaranteed mean noise level at the ear of the operator | | < 76 dB(A) | < 76 dB(A) |

Dimensional drawing



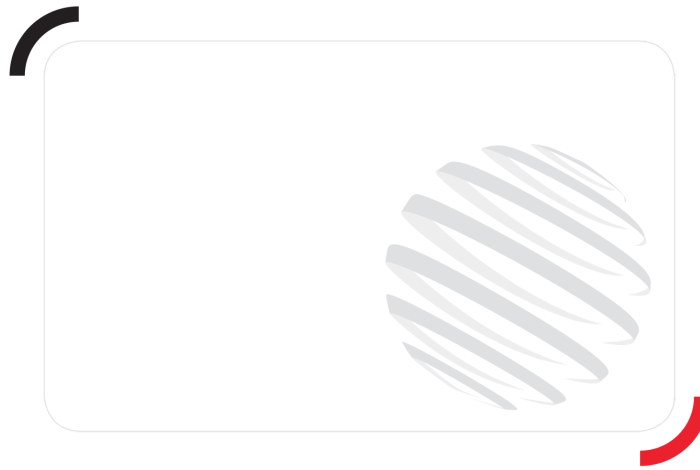
Characteristics of masts and residual capacities

| | | FVD 45 |
|--|----|--------|
| h1 - Height mast lowered * | mm | 3225 |
| h2 - Free lift | mm | 310 |
| h3 - Lifting Height | mm | 4500 |
| h4 - Height mast extended * | mm | 5615 |
| α / β - Mast inclination (front / rear) | ° | 6 / 12 |

| Full Visibility Duplex | | FVD 30 | FVD 33 | FVD 35 | FVD 37 | FVD 40 | FVD 50 | FVD 55 |
|--|----|--------|--------|--------|--------|--------|--------|--------|
| h1 - Height mast lowered * | mm | 2375 | 2525 | 2625 | 2785 | 2975 | 3475 | 3725 |
| h2 - Free lift | mm | 310 | 130 | 310 | 310 | 310 | 310 | 310 |
| h3 - Lifting Height | mm | 3000 | 3300 | 3500 | 3700 | 4000 | 5000 | 5500 |
| h4 - Height mast extended * | mm | 4115 | 4415 | 4615 | 4815 | 5115 | 6115 | 6615 |
| α / β - Mast inclination (front / rear) | ° | 6 / 12 | 6 / 12 | 6 / 12 | 6 / 12 | 6 / 12 | 6 / 12 | 6 / 12 |
| Residual capacity at max height | kg | 3000 | 3000 | 3000 | 3000 | 3000 | | |
| Residual capacity without attachment (Industrial load chart) | kg | 3000 | 3000 | 3000 | 3000 | 3000 | | |
| Residual capacity with integrated side shift (Industrial load chart) | kg | 3000 | 3000 | 3000 | 3000 | 3000 | | |

| Free Lift Triplex | | FLT 40 | FLT 43 | FLT 47 | FLT 50 | FLT 55 | FLT 60 | FLT 65 | FLT 70 |
|--|----|--------|--------|--------|--------|--------|--------|--------|--------|
| h1 - Height mast lowered * | mm | 2375 | 2525 | 2625 | 2785 | 2975 | 3225 | 3475 | 3725 |
| h2 - Free lift | mm | 1383 | 1533 | 2 | 1793 | 1983 | 2233 | 2483 | 2733 |
| h3 - Lifting Height | mm | 4000 | 4300 | 4700 | 5000 | 5500 | 6000 | 6500 | 7000 |
| h4 - Height mast extended * | mm | 5032 | 5332 | 5732 | 6032 | 6532 | 7032 | 7532 | 8032 |
| α / β - Mast inclination (front / rear) | ° | 6 / 12 | 6 / 12 | 6 / 12 | 6 / 12 | 6 / 12 | 6 / 12 | 6 / 12 | 6 / 12 |
| Residual capacity at max height | kg | 3000 | 3000 | 2800 | 2600 | 2000 | 1800 | 1350 | 1000 |
| Residual capacity without attachment (Industrial load chart) | kg | 3000 | 3000 | 2800 | 2600 | 2000 | 1800 | 1350 | 1000 |
| Residual capacity with integrated side shift (Industrial load chart) | kg | 3000 | | | | | | | |

| Full Visibility Triplex | | FLT 37 | FVT 55 | FVT 67 |
|--|----|--------|--------|--------|
| h1 - Height mast lowered * | mm | 2275 | 3055 | 3455 |
| h2 - Free lift | mm | 1283 | 0 | 0 |
| h3 - Lifting Height | mm | 3700 | 5500 | 6700 |
| h4 - Height mast extended * | mm | 4732 | 6725 | 7925 |
| α / β - Mast inclination (front / rear) | ° | 6 / 12 | 6 / 12 | 6 / 12 |
| Residual capacity at max height | kg | 3000 | 1250 | |
| Residual capacity without attachment (Industrial load chart) | kg | 3000 | 1250 | |
| Residual capacity with integrated side shift (Industrial load chart) | kg | 3000 | | |



Siège Social

430 rue de l'Aubinière - 44150 Ancenis Cedex - France

Tel: +33(0)2 40 09 10 11 - Fax: +33 (0)2 40 09 10 97

www.manitou.com



This brochure describes versions and configuration options for Manitou products which may be fitted with different equipment. The equipment described in this brochure may be standard, optional or not available depending on version. Manitou reserves the right to change the specifications shown and described at any time and without prior warning. The manufacturer is not liable for the specifications given. For more information, contact your Manitou dealer. Non-contractual document. Product descriptions may differ from actual products. List of specifications is not comprehensive. The logos and visual identity of the company are the property of Manitou and may not be used without authorisation. All rights reserved. The photos and diagrams contained in this brochure are provided for information only.

MANITOU BF SA - Limited company with board of directors - Share capital: 39,668,399 euros - 857 802 508 RCS Nantes