

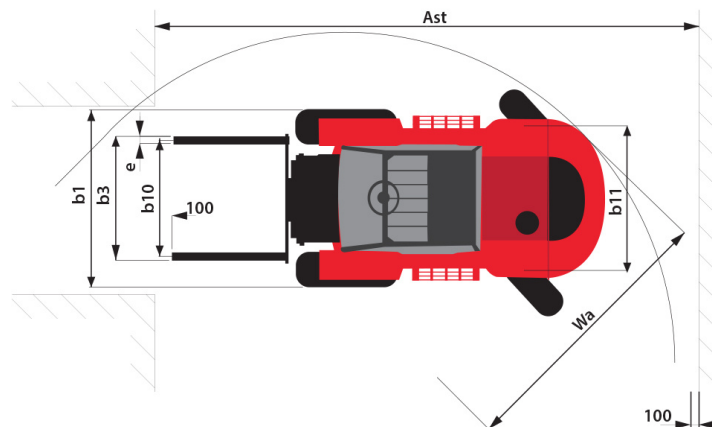
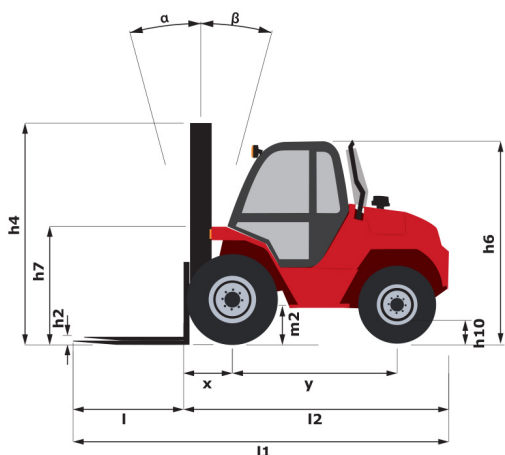
Technical sheet :

M 30-4



Technical characteristics			Metric	Imperial
1.1	Manufacturer		Manitou	Manitou
1.2	Model Name		M 30-4	M 30-4
1.3	Power source		Diesel	Diesel
1.4	Operator type		Seated	Seated
1.5	Max. capacity	Q	3000 kg	6613 lbs
1.6	Load centre of gravity	c	500 mm	1 ft 8 in
1.8	Load distance, centre of drive axle to fork	x	747 mm	2 ft 5 in
1.9	Wheelbase	y	1995 mm	6 ft 7 in
Weight				
2.1	Service weight		6020 kg	13271 lbs
2.2	Weight on front axle (laden) / rear axle (laden)		7515 kg / 1505 kg	16567 lbs / 3317 lbs
2.3	Weight on front axle (Unladen) / rear axle (Unladen)		2365 kg / 3655 kg	5213 lbs / 8057 lbs
Wheels				
3.1	Tyres type		Pneumatic	Pneumatic
3.2	Dimensions of front wheels		400/70-20 150B T37	400/70-20 150B T37
3.3	Dimensions of rear wheels		10,5/80-18 10PR A317TL	10,5/80-18 10PR A317TL
3.5	Number of front wheels / rear wheels		2 / 2	2 / 2
3.5.2	Number of drive wheels		4	4
3.6	Front wheel gauge	b10	1520 mm	5 ft
3.7	Rear wheel gauge	b11	1630 mm	5 ft 4 in
Dimensions				
4.1	Tilt of Mast Forward (deg) / Backward (deg)	α / β	6 / 12	6 / 12
4.7	Height of overhead guard (cabin)	h6	2496 mm	8 ft 2 in
4.8	Seat height/stand height	h7	1473 mm	4 ft 10 in
4.12	Height of towing bar (coupling height)	h10	760 mm	2 ft 6 in
4.19	Overall length	l1	4701 mm	15423 ft 3 in
4.20	Length to face of forks	l2	3501 mm	11 ft 6 in
4.21	Overall width	b1	1924 mm	6 ft 4 in
4.21	Overall width - Single wheels	b1	1924 mm	6 ft 4 in
4.22	Forks section / width	s / e	40 mm x 125 mm	2 in x 5 in
4.23	Fork carriage ISO 2328 (class/form) A/B		FEM3	FEM3
4.24	Fork carriage width	b3	1470 mm	4 ft 10 in
4.31	Ground clearance below mast	m1	450 mm	1 ft 6 in
4.32	Ground clearance at centre of wheelbase	m2	440 mm	1 ft 5 in
4.34	Aisle width for 800 x 1200 pallet lengthways	Ast	6180 mm	20275 ft 7 in
4.35	Turning radius	Wa	4030 mm	13 ft 3 in
4.36	Internal turning radius (over tyres)	b13	1135 mm	3 ft 9 in
Performances				
5.1	Travel speed (laden / unladen)		10 km/h / 22 km/h	6.2 mph / 13.6 mph
5.2.1	Lifting speed (unladen)		0.3 m/s	0.98 ft/s
5.3.1	Lowering speed (unladen)		0.4 m/s	1.31 ft/s
5.5	Drawbar pull (Laden / Unladen)		6290 daN / 4250 daN	6290 daN / 4250 daN
5.7	Gradeability (laden / unladen)		14 % / 21 %	14 % / 21 %
5.10	Service brake		Hydraulic	Hydraulic
Engine				
7.1	Engine brand / model		Perkins / 854F-E34T	Perkins / 854F-E34T
7.2	Engine power according to ISO 1585		55 kW	55 kW
7.3	Rated speed		2200 rpm	2200 rpm
7.4	Number of cylinders / Capacity of cylinders		4 - 3400 cm ³	4 - 207.48 in ³
7.5	Fuel consumption according to VDI cycle		6.2 l/h	6.2 l/h
Miscellaneous				
8.2	Working hydraulic pressure for attachments		185 Bar	12 PSI
8.3	Oil flow rate for attachments		97 l/min	97 l/min
8.4	Measured/guaranteed mean noise level at the ear of the operator		< 76 dB(A)	< 76 dB(A)

Dimensional drawing



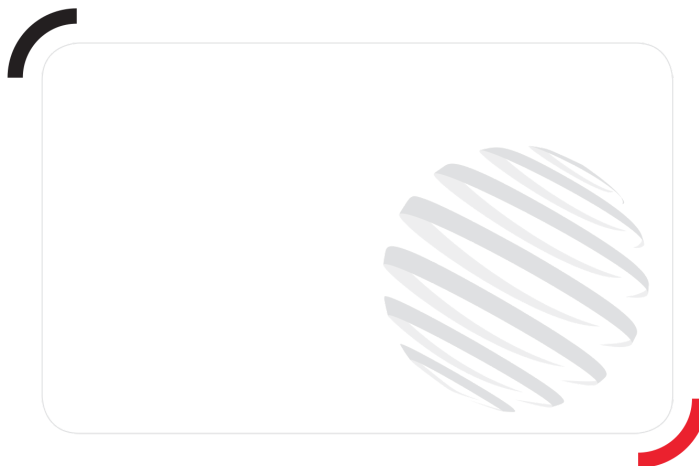
Characteristics of masts and residual capacities

		FVD 45
h1 - Height mast lowered *	mm	3225
h2 - Free lift	mm	310
h3 - Lifting Height	mm	4500
h4 - Height mast extended *	mm	5615
α / β - Mast inclination (front / rear)	°	6 / 12

Full Visibility Duplex		FVD 30	FVD 33	FVD 35	FVD 37	FVD 40	FVD 50	FVD 55
h1 - Height mast lowered *	mm	2375	2525	2625	2785	2975	3475	3725
h2 - Free lift	mm	310	130	310	310	310	310	310
h3 - Lifting Height	mm	3000	3300	3500	3700	4000	5000	5500
h4 - Height mast extended *	mm	4115	4415	4615	4815	5115	6115	6615
α / β - Mast inclination (front / rear)	°	6 / 12	6 / 12	6 / 12	6 / 12	6 / 12	6 / 12	6 / 12
Residual capacity at max height	kg	3000	3000	3000	3000	3000		
Residual capacity without attachment (Industrial load chart)	kg	3000	3000	3000	3000	3000		
Residual capacity with integrated side shift (Industrial load chart)	kg	3000	3000	3000	3000	3000		

Free Lift Triplex		FLT 40	FLT 43	FLT 47	FLT 50	FLT 55	FLT 60	FLT 65	FLT 70
h1 - Height mast lowered *	mm	2375	2525	2625	2785	2975	3225	3475	3725
h2 - Free lift	mm	1383	1533	2	1793	1983	2233	2483	2733
h3 - Lifting Height	mm	4000	4300	4700	5000	5500	6000	6500	7000
h4 - Height mast extended *	mm	5032	5332	5732	6032	6532	7032	7532	8032
α / β - Mast inclination (front / rear)	°	6 / 12	6 / 12	6 / 12	6 / 12	6 / 12	6 / 12	6 / 12	6 / 12
Residual capacity at max height	kg	3000	3000	2800	2600	2000	1800	1350	1000
Residual capacity without attachment (Industrial load chart)	kg	3000	3000	2800	2600	2000	1800	1350	1000
Residual capacity with integrated side shift (Industrial load chart)	kg	3000							

Full Visibility Triplex		FLT 37	FVT 55	FVT 67
h1 - Height mast lowered *	mm	2275	3055	3455
h2 - Free lift	mm	1283	0	0
h3 - Lifting Height	mm	3700	5500	6700
h4 - Height mast extended *	mm	4732	6725	7925
α / β - Mast inclination (front / rear)	°	6 / 12	6 / 12	6 / 12
Residual capacity at max height	kg	3000	1250	
Residual capacity without attachment (Industrial load chart)	kg	3000	1250	
Residual capacity with integrated side shift (Industrial load chart)	kg	3000		



Siège Social

430 rue de l'Aubinière - 44150 Ancenis Cedex - France

Tel: +33(0)2 40 09 10 11 - Fax: +33 (0)2 40 09 10 97

www.manitou.com



This brochure describes versions and configuration options for Manitou products which may be fitted with different equipment. The equipment described in this brochure may be standard, optional or not available depending on version. Manitou reserves the right to change the specifications shown and described at any time and without prior warning. The manufacturer is not liable for the specifications given. For more information, contact your Manitou dealer. Non-contractual document. Product descriptions may differ from actual products. List of specifications is not comprehensive. The logos and visual identity of the company are the property of Manitou and may not be used without authorisation. All rights reserved. The photos and diagrams contained in this brochure are provided for information only.

MANITOU BF SA - Limited company with board of directors - Share capital: 39,668,399 euros - 857 802 508 RCS Nantes