

Technical sheet :

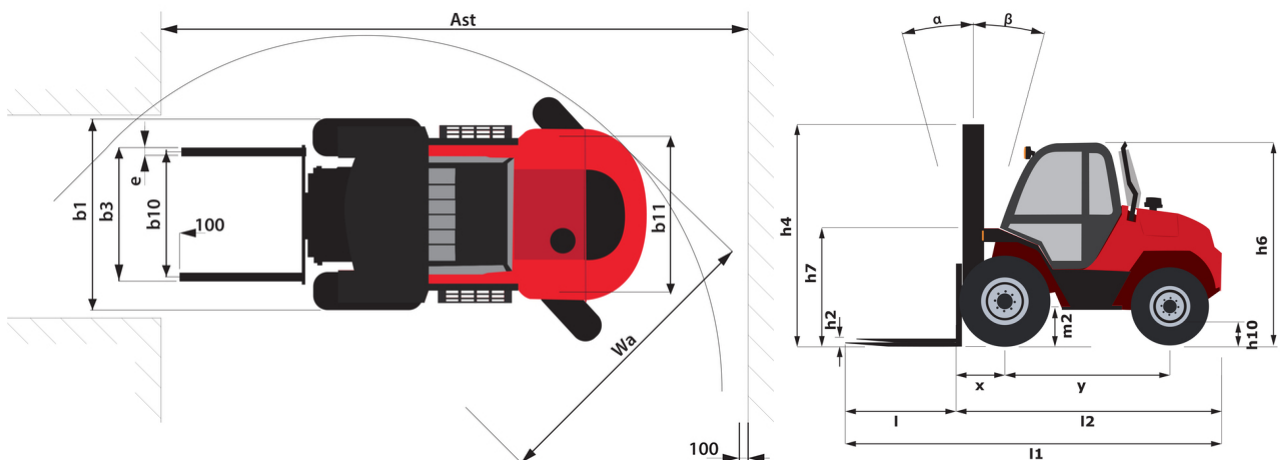
M 50-2



 **MANITOU**
HANDLING YOUR WORLD

Technical characteristics			Metric	Imperial
1.1	Manufacturer		Manitou	Manitou
1.2	Model Name		M 50-2	M 50-2
1.3	Power source		Diesel	Diesel
1.4	Operator type		Seated	Seated
1.5	Max. capacity	Q	5000 kg	11023 lb
1.6	Load center of gravity	c	600 mm	24 in
1.8	Load distance, centre of drive axle to fork	x	773 mm	30 in
1.9	Wheelbase	y	2060 mm	81 in
Weight				
2.1	Service weight		8265 kg	18221 lb
2.2	Weight on front axle (laden) / rear axle (laden)		11615 kg / 1660 kg	25607 lb / 3660 lb
2.3	Weight on front axle (Unladen) / rear axle (Unladen)		3285 kg / 4990 kg	7242 lb / 11001 lb
Wheels				
3.1	Tires type		Pneumatic	Pneumatic
3.2	Dimensions of front wheels		18-19,5 18PR A324	18-19,5 18PR A324
3.3	Dimensions of rear wheels		10R17,5 G291 GY	10R17,5 G291 GY
3.5	Number of front wheels / rear wheels		2 / 2	2 / 2
3.5.2	Number of drive wheels		2	2
3.6	Front wheel gauge	b10	1600 mm	63 in
3.7	Rear wheel gauge	b11	1640 mm	65 in
Dimensions				
4.7	Height of overhead guard (cabin)	h6	2460 mm	97 in
4.8	Seat height/stand height	h7	1440 mm	57 in
4.19	Overall length	l1	4948 mm	195 in
4.20	Length to face of forks	l2	3748 mm	148 in
4.21	Overall width	b1	2057 mm	81 in
4.22	Forks section x width x length	s / e / l	60 mm x 150 mm / 1200 mm	2 in x 6 in / 47 in
4.23	Fork carriage ISO 2328 (class/form) A/B		4A	4A
4.24	Fork carriage width	b3	1670 mm	66 in
4.31	Ground clearance below mast	m1	250 mm	10 in
4.32	Ground clearance at centre of wheelbase	m2	310 mm	12 in
4.34	Aisle width for 800 x 1200 pallet lengthways	Ast	5640 mm	222 in
4.35	Turning radius	Wa	3465 mm	136 in
Performances				
5.1	Travel speed (laden / unladen)		10 km/h / 24 km/h	6 mph / 15 mph
5.2	Lifting speed (laden / unladen)		0.40 m/s / 0.40 m/s	1 ft/s / 1 ft/s
5.3	Lowering speed (laden / unladen)		0.40 m/s / 0.30 m/s	1 ft/s / 0.98 ft/s
5.5	Drawbar pull (Laden)		6900 daN	6900 daN
5.10	Service brake		Hydraulic	Hydraulic
Engine				
7.2	I.C. Engine power rating		55 kW	55 kW
7.1	Engine brand / model		Perkins / 854F-E34T WF	Perkins / 854F-E34T WF
7.3	Rated speed		2200 rpm	2200 rpm
7.4	Number of cylinders		4	4
Miscellaneous				
8.2	Working hydraulic pressure for attachments		230 bar	3336 PSI
8.3	Oil flow rate for attachments		97 l/min	26 US gpm
8.4	Sound level at the driver's ear according to DIN 12 053		76 dB	76 dB

M 50-2 - Dimensional drawing





Head Office

B.P. 249 - 430 rue de l'Aubinière

44150 Ancenis Cedex - France

Tel: +33 (0)2 40 09 10 11 - Fax: +33 (0)2 40 09 10 97

www.manitou.com



This publication provides a description of the configuration versions and options for Manitou products, which may differ for equipment. The equipment presented in this brochure may be part of a series, as an option, or it may not be available, depending on the versions. Manitou reserves the right, at any time and without notice, to amend the specifications described and represented. The specifications provided do not bind the manufacturer. For more details, please contact your Manitou agent. This is not a contractually binding document. The presentation of the products is not contractually binding. List of specifications non-exhaustive. The logos as well as the visual identity of the company are owned by Manitou and cannot be used without authorisation. All rights reserved. The photos and diagrams contained in this brochure are only provided for consultation and information purposes.

MANITOU BF SA - Limited company with board of directors - Share capital: 39,668,399 euros - 857 802 508 RCS Nantes