

Technical sheet :

# **MI 35 D**

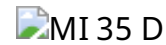
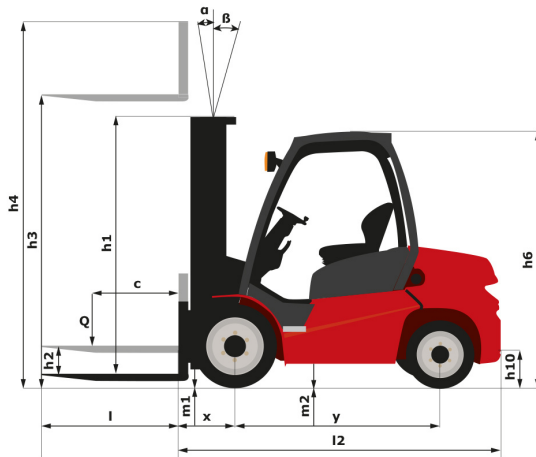
---



| Technical characteristics |                                                      |                  | Metric                   | Imperial                        |
|---------------------------|------------------------------------------------------|------------------|--------------------------|---------------------------------|
| 1.1                       | Manufacturer                                         |                  | Manitou                  | Manitou                         |
| 1.2                       | Model Name                                           |                  | MI 35 D                  | MI 35 D                         |
| 1.3                       | Power source                                         |                  | Diesel                   | Diesel                          |
| 1.4                       | Operator type                                        |                  | Seated                   | Seated                          |
| 1.5                       | Max. capacity                                        | Q                | 3500 kg                  | 7716 lbs                        |
| 1.6                       | Load centre of gravity                               | c                | 500 mm                   | 19.685 in                       |
| 1.8                       | Load distance, centre of drive axle to fork          | x                | 485 mm                   | 19.094 in                       |
| 1.9                       | Wheelbase                                            | y                | 1700 mm                  | 66.929 in                       |
| Weight                    |                                                      |                  |                          |                                 |
| 2.1                       | Service Weight                                       |                  | 4860 kg                  | 10714 lbs                       |
| 2.2                       | Weight on front axle (laden) / rear axle (laden)     |                  | 7360 kg / 1000 kg        | 16226 lbs / 2205 lbs            |
| 2.3                       | Weight on front axle (Unladen) / rear axle (Unladen) |                  | 1825 kg / 3035 kg        | 4023 lbs / 6691 lbs             |
| Wheels                    |                                                      |                  |                          |                                 |
| 3.1                       | Tyres type                                           |                  | PPS                      | PPS                             |
| 3.2                       | Dimensions of front wheels                           |                  | 28-9-1512                | 28-9-1512                       |
| 3.3                       | Dimensions of rear wheels                            |                  | 6.50-10 10               | 6.50-10 10                      |
| 3.5                       | Number of front wheels / rear wheels                 |                  | 2 / 2                    | 2 / 2                           |
| 3.2                       | Number of drive wheels                               |                  | 2                        | 2                               |
| 3.6                       | Front wheel gauge                                    | b10              | 1005 mm                  | 39.567 in                       |
| 3.7                       | Rear wheel gauge                                     | b11              | 975 mm                   | 38.386 in                       |
| Dimensions                |                                                      |                  |                          |                                 |
| 4.1                       | Tilt of Mast Forward (deg) / Backward (deg)          | $\alpha / \beta$ | 6 / 12                   | 6 / 12                          |
| 4.7                       | Height of overhead guard (cabin)                     | h6               | 2130 mm                  | 83.858 in                       |
| 4.8                       | Seat height/stand height                             | h7               | 1215 mm                  | 47.835 in                       |
| 4.12                      | Height of towing bar (coupling height)               | h10              | 360 mm                   | 14.173 in                       |
| 4.19                      | Overall length                                       | l1               | 3935 mm                  | 154.921 in                      |
| 4.20                      | Length to face of forks                              | l2               | 2785 mm                  | 109.646 in                      |
| 4.21                      | Overall width                                        | b1               | 1225 mm                  | 48.228 in                       |
| 4.22                      | Forks section / width / length                       | s / e / l        | 50 mm x 122 mm x 1150 mm | 1.969 in x 4.803 in x 45.276 in |
| 4.23                      | Fork carriage ISO 2328 (class/form) A/B              |                  | 3A                       | 3A                              |
| 4.24                      | Fork carriage width                                  | b3               | 1100 mm                  | 43.307 in                       |
| 4.31                      | Ground clearance below mast                          | m1               | 130 mm                   | 5.118 in                        |
| 4.32                      | Ground clearance at centre of wheelbase              | m2               | 200 mm                   | 7.874 in                        |
| 4.33                      | Aisle width for 1000 x 1200 pallet widthways         | Ast              | 4195 mm                  | 165.157 in                      |
| 4.34                      | Aisle width for 800 x 1200 pallet lengthways         | Ast              | 4395 mm                  | 173.031 in                      |
| 4.36                      | Internal turning radius (over tyres)                 | b13              | 160 mm                   | 6.299 in                        |
| Performances              |                                                      |                  |                          |                                 |
| 5.1                       | Travel speed (laden / unladen)                       |                  | 18 km/h / 18.5 km/h      | 11.2 mph / 11.5 mph             |
| 5.2                       | Lifting speed (laden / unladen)                      |                  | 0.39 m/s / 0.4 m/s       | 1.28 ft/s / 1.31 ft/s           |
| 5.3                       | Lowering speed (laden / unladen)                     |                  | 0.4 m/s / 0.35 m/s       | 1.31 ft/s / 1.15 ft/s           |
| 5.5                       | Drawbar pull (Laden / Unladen)                       |                  | 1830 daN / 1520 daN      | 1830 daN / 1520 daN             |
| 5.7                       | Gradeability - laden / unladen                       |                  | 18 % / 20 %              | 18 % / 20 %                     |
| 5.9                       | Service brake                                        |                  | Hydraulic                | Hydraulic                       |
| Engine                    |                                                      |                  |                          |                                 |

|     | Engine                                                          |  |                                   |                                   |
|-----|-----------------------------------------------------------------|--|-----------------------------------|-----------------------------------|
| 7.1 | Engine brand / model / norm                                     |  | Yanmar / 4TNV94L-BXPHZ / Stage 3A | Yanmar / 4TNV94L-BXPHZ / Stage 3A |
| 7.2 | Engine power according to ISO 1585                              |  | 35 kW                             | 35 kW                             |
| 7.3 | Rated speed                                                     |  | 2400 tr/min                       | 2400 tr/min                       |
| 7.4 | Number of cylinders / Capacity of cylinders                     |  | 4 - 3054 cm <sup>3</sup>          | 4 - 186.37 in <sup>3</sup>        |
|     | Fuel consumption according to VDI cycle                         |  | 3.56 l/h                          | 3.56 l/h                          |
|     | Miscellaneous                                                   |  |                                   |                                   |
| 8.2 | Working hydraulic pressure for attachments (bar)                |  | 160 Bar                           | 11 PSI                            |
| 8.3 | Oil flow rate for attachments                                   |  | 69 l/min                          | 69 l/min                          |
| 8.4 | Measured/guaranteed mean noise level at the ear of the operator |  | < 84 dB(A)                        | < 84 dB(A)                        |

## Dimensional drawing



## Characteristics of masts and residual capacities

| Full Visibility Duplex                                               |    | FVD 33 | FVD 37 | FVD 40 |
|----------------------------------------------------------------------|----|--------|--------|--------|
| h2 - Free lift                                                       | mm | 145    | 145    | 145    |
| h1 - Height mast Lowered                                             | mm | 2315   | 2565   | 2715   |
| h3 - Lifting Height                                                  | mm | 3300   | 3700   | 4000   |
| h4 - Height mast extended                                            | mm | 4115   | 4515   | 4815   |
| $\alpha / \beta$ - Mast inclination (front / rear)                   | °  | 6 / 12 | 6 / 12 | 6 / 12 |
| Residual capacity without attachment (Industrial load chart)         | kg | 3500   | 3500   | 3500   |
| Residual capacity with integrated side shift (Industrial load chart) | kg | 3500   | 3500   | 3500   |
| Height at max capacity                                               | mm | 3300   | 3700   | 4000   |
| Height at max capacity with integrated sideshift                     | mm | 3300   | 3700   | 4000   |
| Height at max capacity Fork positioner + DL                          | mm | 3300   | 3700   | 4000   |

| Free Lift Duplex                                                     |    | FLD 33 | FLD 37 | FLD 40 |
|----------------------------------------------------------------------|----|--------|--------|--------|
| h2 - Free lift                                                       | mm | 1500   | 1700   | 1850   |
| h1 - Height mast Lowered                                             | mm | 2330   | 2530   | 2680   |
| h3 - Lifting Height                                                  | mm | 3300   | 3700   | 4000   |
| h4 - Height mast extended                                            | mm | 4130   | 4530   | 4830   |
| $\alpha / \beta$ - Mast inclination (front / rear)                   | °  | 6 / 12 | 6 / 12 | 6 / 12 |
| Residual capacity without attachment (Industrial load chart)         | kg | 3500   | 3500   | 3500   |
| Residual capacity with integrated side shift (Industrial load chart) | kg | 3500   | 3500   | 3500   |
| Height at max capacity                                               | mm | 3300   | 3700   | 4000   |
| Height at max capacity with integrated sideshift                     | mm | 3300   | 3700   | 4000   |
| Height at max capacity Fork positioner + DL                          | mm | 3300   | 3700   |        |

| Free Lift Triplex                                  |    | FLT 43 | FLT 45 | FLT 47 | FLT 48 | FLT 50 | FLT 55 | FLT 60 | FLT 65 |
|----------------------------------------------------|----|--------|--------|--------|--------|--------|--------|--------|--------|
| h2 - Free lift                                     | mm | 1385   | 1435   | 1485   | 1535   | 1585   | 1735   | 1985   | 2135   |
| h1 - Height mast Lowered                           | mm | 2215   | 2265   | 2315   | 2365   | 2415   | 2565   | 2815   | 2965   |
| h3 - Lifting Height                                | mm | 4300   | 4500   | 4700   | 4800   | 5000   | 5500   | 6000   | 6500   |
| h4 - Height mast extended                          | mm | 5130   | 5380   | 5530   | 5630   | 5830   | 6330   | 6880   | 7330   |
| $\alpha / \beta$ - Mast inclination (front / rear) | °  | 6 / 6  | 6 / 6  | 6 / 6  | 6 / 6  | 6 / 6  | 3 / 6  | 3 / 6  | 3 / 6  |

| Free Lift Triplex                                                    |    | FLT 43 | FLT 45 | FLT 47 | FLT 48 | FLT 50 | FLT 55 | FLT 60 | FLT 65 |
|----------------------------------------------------------------------|----|--------|--------|--------|--------|--------|--------|--------|--------|
| Residual capacity without attachment (Industrial load chart)         | kg | 3450   | 3400   | 3300   | 3300   | 3000   | 2200   | 1600   | 1500   |
| Residual capacity with integrated side shift (Industrial load chart) | kg | 3450   | 3300   | 3200   | 3200   | 2900   | 2100   | 1500   | 1400   |
| Height at max capacity                                               | mm | 4000   | 4000   | 4000   | 4000   | 4000   | 4000   | 4000   | 4000   |
| Height at max capacity with integrated sideshift                     | mm | 4000   | 4000   | 4000   |        |        |        |        |        |
| Height at max capacity Fork positioner + DL                          | mm | 4000   | 4000   |        |        |        |        |        |        |



Siège Social

430 rue de l'Aubinière - 44150 Ancenis Cedex - France

Tel: +33(0)2 40 09 10 11 - Fax: +33 (0)2 40 09 10 97

[www.manitou.com](http://www.manitou.com)



This brochure describes versions and configuration options for Manitou products which may be fitted with different equipment. The equipment described in this brochure may be standard, optional or not available depending on version. Manitou reserves the right to change the specifications shown and described at any time and without prior warning. The manufacturer is not liable for the specifications given. For more information, contact your Manitou dealer. Non-contractual document. Product descriptions may differ from actual products. List of specifications is not comprehensive. The logos and visual identity of the company are the property of Manitou and may not be used without authorisation. All rights reserved. The photos and diagrams contained in this brochure are provided for information only.

MANITOU BF SA - Limited company with board of directors - Share capital: 39,668,399 euros - 857 802 508  
RCS Nantes