

Technical sheet :

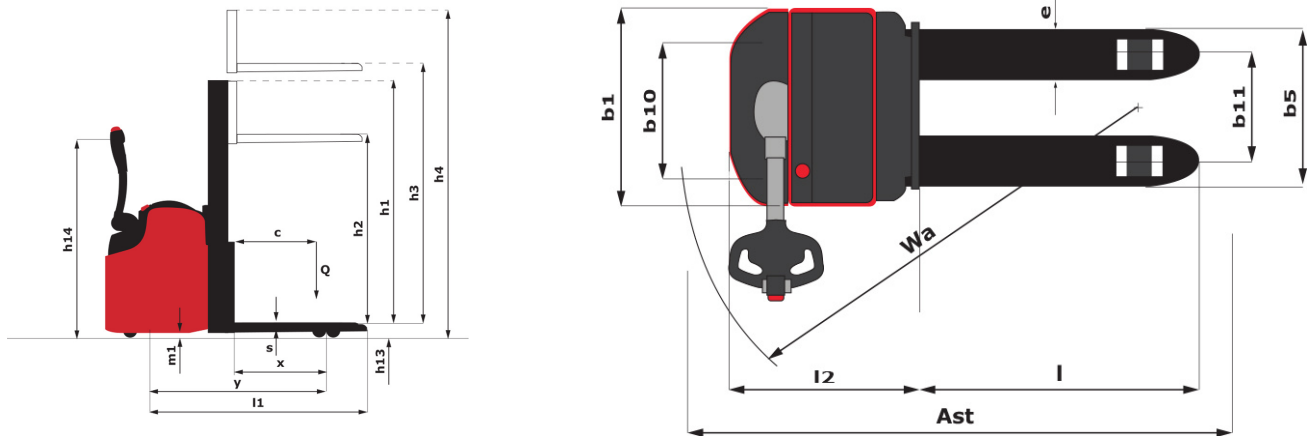
ES 614 LI



| Technical characteristics | | | Metric | Imperial |
|---------------------------|---|-----------|--------------------------|--------------------------------|
| 1.1 | Manufacturer | | Manitou | Manitou |
| 1.2 | Model Name | | ES 614 LI | ES 614 LI |
| 1.3 | Power source | | Battery | Battery |
| 1.4 | Operator type | | Pedestrian | Pedestrian |
| 1.5 | Max. capacity | Q | 1400 kg | 3086 lbs |
| 1.6 | Load centre of gravity | c | 600 mm | 23.622 in |
| 1.8 | Distance from Load backrest to center of rear axle | x | 848 mm | 2782 ft 2 in |
| 1.9 | Wheelbase | y | 1492 mm | 58.74 in |
| Weight | | | | |
| 2.1 | Service Weight | | 1327 kg | 2926 lbs |
| 2.2 | Weight on front axle (laden) / rear axle (laden) | | 1219 kg / 1503 kg | 2687 lbs / 3314 lbs |
| 2.3 | Weight on front axle (Unladen) / rear axle (Unladen) | | 1033 kg / 290 kg | 2277 lbs / 639 lbs |
| Wheels | | | | |
| 3.1 | Tyres type | | Bandage | Bandage |
| 3.2 | Number of drive wheels - Size of drive wheels | | 1 x 230x70 | 1 x 230x70 |
| 3.3 | Number of load wheels - Size of load wheels | | 2 x 140x60 | 2 x 140x60 |
| 3.4 | Number of stabilizer wheels / Size of the stabilizer wheels | | 1 x 140x60 | 1 x 140x60 |
| 3.5 | Number of front wheels / rear wheels | | 2 / 4 | 2 / 4 |
| 3.6 | Front wheel gauge | b10 | 529 mm | 20.827 in |
| 3.7 | Rear wheel gauge | b11 | 380 mm | 14.961 in |
| Dimensions | | | | |
| 4.2 | Mast height lowered | h1 | 1953 mm | 76.89 in |
| 4.4 | Mast lifting height | h3 | 2935 mm | 9629 ft 3 in |
| 4.5 | Mast height extended | h4 | 3390 mm | 11122 ft 1 in |
| 4.9 | Height tiller up min./max. / max. | h14 / h14 | 750 mm / 1250 mm | 29.528 in / 49.213 in |
| 4.15 | Fork height in low position | h13 | 86 mm | 3.386 in |
| 4.19 | Overall length | l1 | 2174 mm | 85.591 in |
| 4.20 | Length to face of forks | l2 | 976 mm | 38.425 in |
| 4.21 | Overall width | b1 | 800 mm | 31.496 in |
| 4.22 | Forks section / width / length | s / e / l | 60 mm x 185 mm x 1190 mm | 2.362 in x 7.283 in x 46.85 in |
| 4.24 | Fork carriage width | b3 | 700 mm | 27.559 in |
| 4.32 | Ground clearance at centre of wheelbase | m2 | 30 mm | 1.181 in |
| 4.33 | Aisle width for 1000 x 1200 pallet widthways | Ast | 2653 mm | 104.449 in |
| 4.34 | Aisle width for 800 x 1200 pallet lengthways | Ast | 2587 mm | 101.85 in |
| 4.35 | Turning radius | Wa | 1849 mm | 72.795 in |
| Performances | | | | |
| 5.1 | Travel speed (laden / unladen) | | 4.5 km/h / 4.5 km/h | 2.8 mph / 2.8 mph |
| 5.2 | Lifting speed (laden / unladen) | | 0.18 m/s / 0.3 m/s | 0.59 ft/s / 0.98 ft/s |
| 5.3 | Lowering speed (laden / unladen) | | 0.27 m/s / 0.22 m/s | 0.89 ft/s / 0.72 ft/s |
| 5.7 | Gradeability - laden / unladen | | 7 % / 10 % | 7 % / 10 % |
| 5.9 | Service brake | | Electro magnetic | Electro magnetic |
| Engine | | | | |
| 6.1 | Drive motor rating S2 60 min | | 1.5 kW | 1.5 kW |

| | Engine | | | |
|---------------|---|--|---------------|---------------|
| 6.2 | Lift motor rating at S3 15% | | 3 kW | 3 kW |
| 6.3 | Battery according to DIN 43531/35/36 A, B, C | | DIN 43535-B | DIN 43535-B |
| 6.4 | Battery / Batteries capacity | | 24 V - 180 Ah | 24 V - 180 Ah |
| 6.5 | Battery weight (+/- 5%) | | 189 kg | 417 lbs |
| Miscellaneous | | | | |
| 8.1 | Type of drive control | | AC | AC |
| 8.4 | Sound level at the driver's ear according to DIN 12 053 | | 65 dB(A) | 65 dB(A) |

Dimensional drawing



Characteristics of masts and residual capacities

| Central Cylinder Simplex | | CCS 15 | CCS 17 |
|--|----|--------|--------|
| h2 - Free lift | mm | 1506 | 1756 |
| h1 - Height mast Lowered | mm | 1953 | 2203 |
| h3 - Lifting Height | mm | 1506 | 1755 |
| h4 - Height mast extended | mm | 1960 | 2210 |
| Residual capacity without attachment (Industrial load chart) | kg | 1400 | 1400 |

| Full Visibility Duplex | | FVD 29 | FVD 34 | FVD 38 |
|--|----|--------|--------|--------|
| h1 - Height mast Lowered | mm | 1953 | 2293 | 2403 |
| h3 - Lifting Height | mm | 2935 | 3435 | 3835 |
| h4 - Height mast extended | mm | 3390 | 3890 | 4290 |
| Residual capacity without attachment (Industrial load chart) | kg | 1300 | 1050 | 800 |

| Free Lift Duplex | | FLD 29 | FLD 34 |
|--|----|--------|--------|
| h2 - Free lift | mm | 1506 | 1756 |
| h1 - Height mast Lowered | mm | 1953 | 2203 |
| h3 - Lifting Height | mm | 2930 | 3430 |
| h4 - Height mast extended | mm | 3385 | 3885 |
| Residual capacity without attachment (Industrial load chart) | kg | 1300 | 1050 |

| Free Lift Triplex | | FLT 42 | FLT 47 | FLT 54 |
|--|----|--------|--------|--------|
| h2 - Free lift | mm | 1466 | 1626 | 1875 |
| h1 - Height mast Lowered | mm | 1911 | 2071 | 2300 |
| h3 - Lifting Height | mm | 4245 | 4725 | 5455 |
| h4 - Height mast extended | mm | 4723 | 5203 | 5880 |
| Residual capacity without attachment (Industrial load chart) | kg | 670 | 470 | 450 |



Siège Social

430 rue de l'Aubinière - 44150 Ancenis Cedex - France

Tel: +33(0)2 40 09 10 11 - Fax: +33 (0)2 40 09 10 97

www.manitou.com



This brochure describes versions and configuration options for Manitou products which may be fitted with different equipment. The equipment described in this brochure may be standard, optional or not available depending on version. Manitou reserves the right to change the specifications shown and described at any time and without prior warning. The manufacturer is not liable for the specifications given. For more information, contact your Manitou dealer. Non-contractual document. Product descriptions may differ from actual products. List of specifications is not comprehensive. The logos and visual identity of the company are the property of Manitou and may not be used without authorisation. All rights reserved. The photos and diagrams contained in this brochure are provided for information only.

MANITOU BF SA - Limited company with board of directors - Share capital: 39,668,399 euros - 857 802 508
RCS Nantes