

Technical sheet :

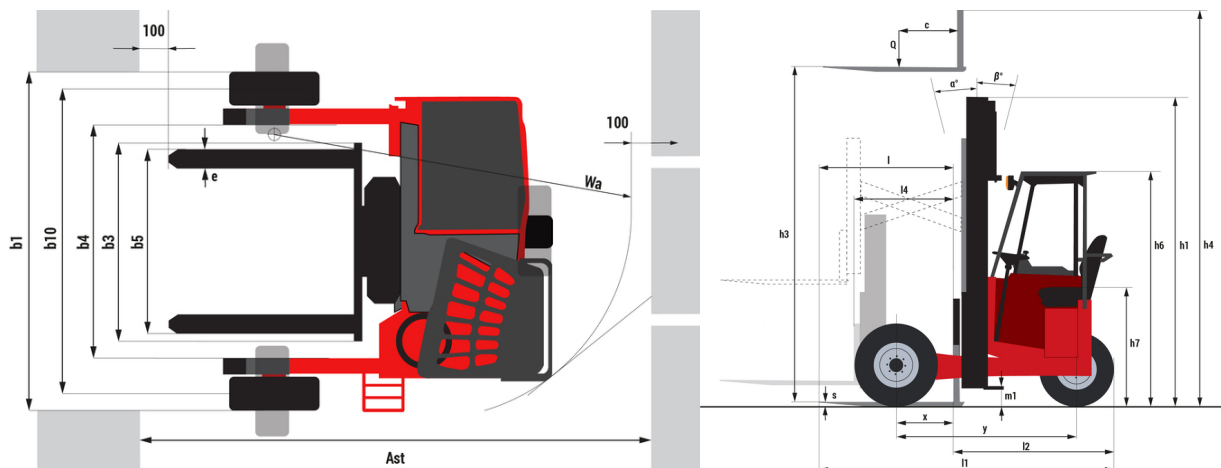
TMM 25 4W



 **MANITOU**
HANDLING YOUR WORLD

Technical characteristics			Metric	Imperial
1.1	Manufacturer		Manitou	Manitou
1.2	Model Name		TMM 25 4W	TMM 25 4W
1.2.1	Reach out equipment		Pantograph	Pantograph
1.3	Power source		Diesel	Diesel
1.4	Operator type		Seated	Seated
1.5	Max. capacity	Q	2500 kg	5512 lb
1.6	Load center of gravity	c	600 mm	24 in
1.8	Load distance, centre of drive axle to fork	x	-500 mm	-20 in
1.9	Wheelbase	y	1598 mm	63 in
Weight				
2.1	Service weight		2500 kg	5512 lb
Wheels				
3.1	Tires type		Inflatable	Inflatable
3.2	Dimensions of front wheels		27x10-12 IC30	27x10-12 IC30
3.3	Dimensions of rear wheels		27x10-12 IC30	27x10-12 IC30
3.5	Number of front wheels / rear wheels		2 / 1	2 / 1
3.5.2	Drive wheels (front / rear)		2 / 1	2 / 1
3.6	Front wheel gauge	b10	2143 mm	84 in
Dimensions				
4.4	Max. lifting height	h3	3900 mm	154 in
4.7	Height of overhead guard (cabin)	h6	2120 mm	83 in
4.19	Overall length	l1	2638 mm	104 in
4.21	Overall width	b1	2398 mm	94 in
4.22	Forks section / width / length	s / e / l	40 mm x 125 mm x 1200 mm	2 in x 5 in x 47 in
4.23	Fork carriage ISO 2328 (class/form) A/B		2A	2A
4.24	Fork carriage width	b3	1260 mm	50 in
4.26	Distance between wheel arms/loading surfaces	b4	1492 mm	59 in
4.28	Maximum horizontal extension at COG 600	l4	1000 mm	39 in
4.32	Ground clearance at centre of wheelbase	m2	270 mm	11 in
4.35	Turning radius	Wa	2463 mm	97 in
Performances				
5.1	Travel speed (laden / unladen)		11.20 km/h - 11.20 km/h	7 mph - 7 mph
5.7	Gradeability (laden / unladen)		43 % / 26 %	43 % / 26 %
5.10	Service brake		Hydraulic	Hydraulic
5.11	Transmission type		Hydrostatic	Hydrostatic
Engine				
7.1	Engine brand		Kubota	Kubota
7.2	I.C. Engine power rating		26.50 kW	26.50 kW
7.3	Rated speed		3000 rpm	3000 rpm
7.4	Number of cylinders / Capacity of cylinders		4 - 1498 cm ³	4 - 91 in ³
Miscellaneous				
8.2	Working hydraulic pressure for attachments		190 bar	2756 PSI
8.3	Oil flow rate for attachments		43 l/min	11 US gpm
8.4	Sound level at the driver's ear according to DIN 12 053		84 dB	84 dB

TMM 25 4W - Dimensional drawing



Characteristics of masts and residual capacities

		Full Visibility Duplex (FVD)				
		FVD 30	FVD 36	FVD 39		
Residual Capacity (Maximum Height & LC = 600 mm)	Simple Reach	h1 - Mast lowered height	in (mm)	94.2 (2392)	108 (2742)	113.9 (2892)
		h3 - Mast lifting height	in (mm)	118.1 (3000)	141.7 (3600)	153.5 (3900)
		h4 - Mast extended height	in (mm)	177 (4495)	200.6 (5095)	212.4 (5395)
		Pantograph reach in	lb (kg)	5512 (2500)	5512 (2500)	5512 (2500)
		Pantograph reach out with stabilizers	lb (kg)	4519 (2050)	4519 (2050)	4519 (2050)
		Pantograph reach out without stabilizers	lb (kg)	2535 (1150)	2425 (1100)	2205 (1000)
	Double Reach	Telescopic forks reach in	lb (kg)	5512 (2500)	5512 (2500)	5512 (2500)
		Telescopic Forks reach out with stabilizers	lb (kg)	2976 (1350)	2866 (1300)	2866 (1300)
		Telescopic Forks reach out without stabilizers	lb (kg)	2646 (1200)	2535 (1150)	2425 (1100)
		Pantograph & TF reach in	lb (kg)	5512 (2500)	5512 (2500)	5512 (2500)
		Pantograph & TF reach out with stabilizers	lb (kg)	2425 (1100)	2425 (1100)	2425 (1100)
		Pantograph & TF reach out without stabilizers	lb (kg)	1213 (550)	1213 (550)	1213 (550)



 **MANITOU**
HANDLING YOUR WORLD

Head Office

B.P. 249 - 430 rue de l'Aubinière

44150 Ancenis Cedex - France

Tel: +33 (0)2 40 09 10 11 - Fax: +33 (0)2 40 09 10 97

www.manitou.com



This publication provides a description of the configuration versions and options for Manitou products, which may differ for equipment. The equipment presented in this brochure may be part of a series, as an option, or it may not be available, depending on the versions. Manitou reserves the right, at any time and without notice, to amend the specifications described and represented. The specifications provided do not bind the manufacturer. For more details, please contact your Manitou agent. This is not a contractually binding document. The presentation of the products is not contractually binding. List of specifications non-exhaustive. The logos as well as the visual identity of the company are owned by Manitou and cannot be used without authorisation. All rights reserved. The photos and diagrams contained in this brochure are only provided for consultation and information purposes.

MANITOU BF SA - Limited company with board of directors - Share capital: 39,668,399 euros - 857 802 508 RCS Nantes