

Technical sheet :

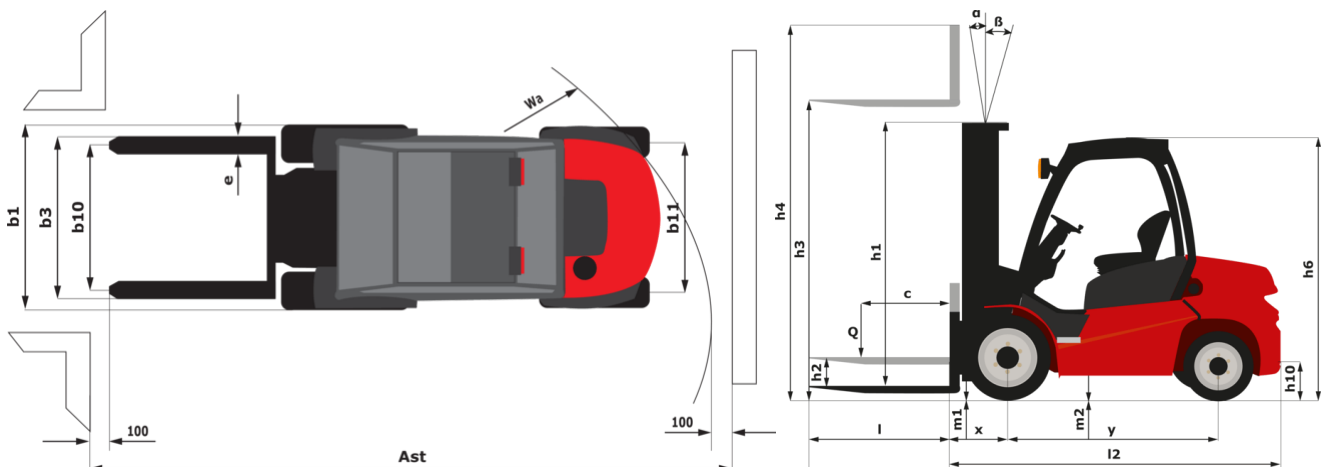
MSI 30 3B - FT4



 **MANITOU**
HANDLING YOUR WORLD

Technical characteristics			Metric	Imperial
1.1	Manufacturer		Manitou	Manitou
1.2	Model Name		MSI 30 3B - FT4	MSI 30 3B - FT4
1.3	Power source		Diesel	Diesel
1.4	Operator type		Seated	Seated
1.5	Max. capacity	Q	3000 kg	6614 lb
1.6	Load center of gravity	c	500 mm	20 in
1.8	Load distance, centre of drive axle to fork	x	630 mm	25 in
1.9	Wheelbase	y	1800 mm	71 in
Weight				
2.1	Service weight		4705 kg	10373 lb
2.2	Weight on front axle (laden) / rear axle (laden)		6780 kg / 925 kg	14947 lb / 2039 lb
2.3	Weight on front axle (Unladen) / rear axle (Unladen)		1900 kg / 2805 kg	4189 lb / 6184 lb
Wheels				
3.1	Tires type		Pneumatic	Pneumatic
3.2	Dimensions of front wheels		275/70 R22,5	275/70 R22,5
3.3	Dimensions of rear wheels		7.00x12 14PR	7.00x12 14PR
3.5	Number of front wheels / rear wheels		2 / 2	2 / 2
3.5.2	Number of drive wheels		2	2
3.6	Front wheel gauge	b10	1046 mm	41 in
3.7	Rear wheel gauge	b11	1102 mm	43 in
Dimensions				
4.8	Seat height/stand height	h7	1025 mm	40 in
4.12	Height of towing bar (coupling height)	h10	310 mm	12 in
4.19	Overall length	l1	4080 mm	161 in
4.20	Length to face of forks	l2	2980 mm	117 in
4.21	Overall width	b1	1323 mm	52 in
4.21	Overall width - Single wheels	b1	4560 mm	180 in
4.22	Forks section / width / length	s / e / l	45 mm x 100 mm x 1100 mm	2 in x 4 in x 43 in
4.23	Fork carriage ISO 2328 (class/form) A/B		3A	3A
4.24	Fork carriage width	b3	1260 mm	50 in
4.31	Ground clearance below mast	m1	270 mm	11 in
4.32	Ground clearance at centre of wheelbase	m2	260 mm	10 in
4.33	Aisle Width for pallets 1000 x 1200 crossways	Ast	4660 mm	183 in
4.34	Aisle width for 800 x 1200 pallet lengthways	Ast	4660 mm	183 in
4.35	Turning radius	Wa	2635 mm	104 in
4.36	Internal turning radius (over tyres)	b13	150 mm	6 in
Performances				
5.1	Travel speed (laden / unladen)		20 km/h-20 km/h	12 mph-12 mph
5.2	Lifting speed (laden / unladen)		0.40 m/s-0.50 m/s	1 ft/s-2 ft/s
5.3	Lowering speed (laden / unladen)		0.50 m/s-0.40 m/s	2 ft/s-1 ft/s
5.5	Drawbar pull (Laden / Unladen)		2460 daN / 1260 daN	2460 daN / 1260 daN
5.7	Gradeability (laden / unladen)		24 % / 29 %	24 % / 29 %
5.10	Service brake		Hydraulic	Hydraulic
Engine				
7.1	Engine brand / model		Kubota / V2403 CR TE4	Kubota / V2403 CR TE4
7.2	I.C. Engine power rating		48.60 kW	48.60 kW
7.3	Rated speed		2700 rpm	2700 rpm
7.4	Number of cylinders / Capacity of cylinders		4 - 2434 cm³	4 - 149 in³
Miscellaneous				
8.1	Type of drive control		Hydraulic	Hydraulic
8.2	Working hydraulic pressure for attachments		185 bar	2683 PSI
8.3	Oil flow rate for attachments		45 l/min	12 US gpm

MSI 30 3B - FT4 - Dimensional drawing





Head Office

B.P. 249 - 430 rue de l'Aubinière

44150 Ancenis Cedex - France

Tel: +33 (0)2 40 09 10 11 - Fax: +33 (0)2 40 09 10 97

www.manitou.com



This publication provides a description of the configuration versions and options for Manitou products, which may differ for equipment. The equipment presented in this brochure may be part of a series, as an option, or it may not be available, depending on the versions. Manitou reserves the right, at any time and without notice, to amend the specifications described and represented. The specifications provided do not bind the manufacturer. For more details, please contact your Manitou agent. This is not a contractually binding document. The presentation of the products is not contractually binding. List of specifications non-exhaustive. The logos as well as the visual identity of the company are owned by Manitou and cannot be used without authorisation. All rights reserved. The photos and diagrams contained in this brochure are only provided for consultation and information purposes.

MANITOU BF SA - Limited company with board of directors - Share capital: 39,668,399 euros - 857 802 508 RCS Nantes