

Technical sheet :

# **MLT-X 737-130 PS+**

---



 **MANITOU**  
HANDLING YOUR WORLD

| Capacities   |     | Metric   | Imperial   |
|--|-----|--|--|
| Max. capacity  | Q   | 3700 kg  | 8157 lb  |
| Max. lifting height  | h3  | 6.90 m   | 22 ft 8 in   |
| Max. outreach  |     | 3.90 m   | 12 ft 10 in  |
| Reach at max. height   |     | 1 m  | 3 ft 3 in  |
| Breakout force with bucket                                       |     | 5520 daN   | 5520 daN   |
| Weight and dimensions  |     |  |  |
| Unladen weight (with forks)                                      |     | 7540 kg  | 16623 lb   |
| Ground clearance   | m4  | 0.41 m   | 1 ft 4 in  |
| Wheelbase  | y   | 2.81 m   | 9 ft 3 in  |
| Overall length to carriage (with hitch)                          | l11 | 4.97 m   | 16 ft 4 in   |
| Front overhang   |     | 1.21 m   | 4 ft   |
| Overall width  | b1  | 2.39 m   | 7 ft 10 in   |
| Overall cab width  | b4  | 0.95 m   | 3 ft 1 in  |
| Overall height   | h17 | 2.38 m   | 7 ft 10 in   |
| Tilt-down angle  | a5  | 134 °  | 134 °  |
| Tilt-up angle  | a4  | 12 °   | 12 °   |
| External turning radius (over tyres)                             | Wa1 | 3.92 m   | 12 ft 10 in  |
| Standard tires   |     | Alliance - A580 - 460/70 R24 159A8                                   | Alliance - A580 - 460/70 R24 159A8                                   |
| Drive wheels (front / rear)                                      |     | 2 / 2  | 2 / 2  |
| Steering wheels (front / rear)                                   |     | 2 / 2  | 2 / 2  |
| Performances   |     |  |  |
| Lifting  |     | 7.60 s   | 7.60 s   |
| Lowering   |     | 5.40 s   | 5.40 s   |
| Extension  |     | 7.80 s   | 7.80 s   |
| Retraction   |     | 5.90 s   | 5.90 s   |
| Crowd  |     | 3.80 s   | 3.80 s   |
| Dump   |     | 3 s  | 3 s  |
| Engine   |     |  |  |
| Engine brand   |     | Deutz  | Deutz  |
| Engine norm  |     | Stage IIIA   | Stage IIIA   |
| Max. fuel sulphur content  |     | 2000 ppm   | 2000 ppm   |
| Engine model   |     | TCD 3,6 l  | TCD 3,6 l  |
| Number of cylinders - Capacity of cylinders                      |     | 4 - 3621 cm³   | 4 - 221 in³  |
| I.C. Engine power rating / Power                                 |     | 129 Hp / 95 kW   | 129 Hp / 95 kW   |
| Max. torque / Engine rotation                                    |     | 500 Nm @1600 rpm   | 369 ft/lbs @1600 rpm   |
| Drawbar pull (Laden)   |     | 7950 daN   | 7950 daN   |
| Reversible fan   |     | Standard   | Standard   |
| Engine cooling system  |     | 4 radiators (water + intercooler + hydraulic oil + transmission oil) | 4 radiators (water + intercooler + hydraulic oil + transmission oil) |
| Transmission   |     |  |  |
| Transmission type  |     | Torque converter   | Torque converter   |
| Gearbox  |     | Powershift Plus (M-Shift)  | Powershift Plus (M-Shift)  |
| Number of gears (forward / reverse)                              |     | 6 / 3  | 6 / 3  |
| Max. travel speed (may vary according to applicable regulations) |     | 40 km/h  | 25 mph   |
| Differential lock  |     | Limited slip differential on front axle                              | Limited slip differential on front axle                              |
| Parking brake  |     | Manual   | Manual   |
| Service brake  |     | Oil-immersed multi-discs on front & rear axles                       | Oil-immersed multi-discs on front & rear axles                       |
| Hydraulics   |     |  |  |
| Hydraulic pump type  |     | Variable displacement pump   | Variable displacement pump   |
| Hydraulic flow - Pressure  |     | 150 l/min - 270 bar  | 40 US gpm - 3916 PSI   |
| Flow sharing distributor   |     | Standard   | Standard   |
| Tank capacities  |     |  |  |
| Fuel tank  |     | 120 l  | 32 US gal  |
| Noise and vibration  |     |  |  |
| Noise at driving position (LpA) tested following NF EN 12053 nom |     | 75 dB  | 75 dB  |
| Noise to environment (LwA)                                       |     | 106 dB   | 106 dB   |
| Vibration on hands/arms  |     | < 2.50 m/s²  | < 2.50 m/s²  |
| Miscellaneous  |     |  |  |
| Tractor homologation   |     | Tractor homologation   | Tractor homologation   |
| Safety cab homologation  |     | Cabin ROPS - FOPS level 2  | Cabin ROPS - FOPS level 2  |
| Controls   |     | JSM  | JSM  |

## Optional tires tab

### Optional tires tab

|  |
|--|
| ALLIANCE - A580 - 460/70 R24 159A8       |
| TRELLEBORG - TH400 - 460/70 R24 159A8    |
| TRELLEBORG - TH400 - 500/70 R24 164A8    |
| MICHELIN - XMCL - 500/70 R24 164A8       |
| MICHELIN - BIBLOAD - 460/70 R24 159A8    |
| MICHELIN - BIBLOAD - 500/70 R24 164A8    |
| MICHELIN - XHA - 15.5 R25                |
| NOKIAN - TRI STEEL - 460/65 R24 156A8    |
| MICHELIN - XMCL - 460/70 R24 159A8       |
| VREDESTEIN - ENDURION - 460/70 R24 159A8 |
| VREDESTEIN - ENDURION - 500/70 R24 164A8 |

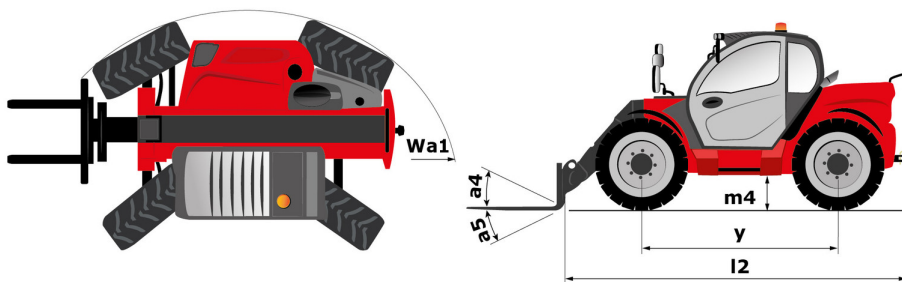
### Overall height

|                     |
|---------------------|
| 7 ft 10 in (2.38 m) |
| 7 ft 9 in (2.37 m)  |
| 7 ft 10 in (2.39 m) |
| 7 ft 10 in (2.39 m) |
| 7 ft 9 in (2.37 m)  |
| 7 ft 10 in (2.39 m) |
| 7 ft 9 in (2.37 m)  |
| 7 ft 9 in (2.36 m)  |
| 7 ft 9 in (2.37 m)  |
| 7 ft 10 in (2.38 m) |
| 7 ft 11 in (2.41 m) |

### Overall width

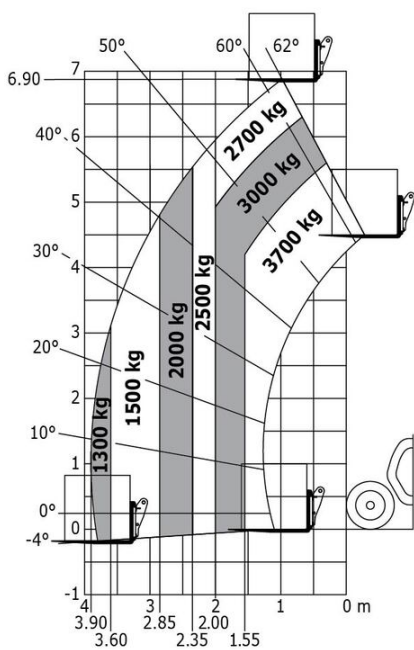
|                     |
|---------------------|
| 7 ft 10 in (2.39 m) |
| 7 ft 10 in (2.40 m) |
| 7 ft 11 in (2.42 m) |
| 8 ft (2.43 m)       |
| 7 ft 10 in (2.40 m) |
| 8 ft (2.43 m)       |
| 7 ft 10 in (2.40 m) |
| 7 ft 10 in (2.40 m) |
| 7 ft 10 in (2.40 m) |
| 7 ft 11 in (2.41 m) |
| 8 ft (2.44 m)       |

MLT-X 737-130 PS+ - Dimensional drawing

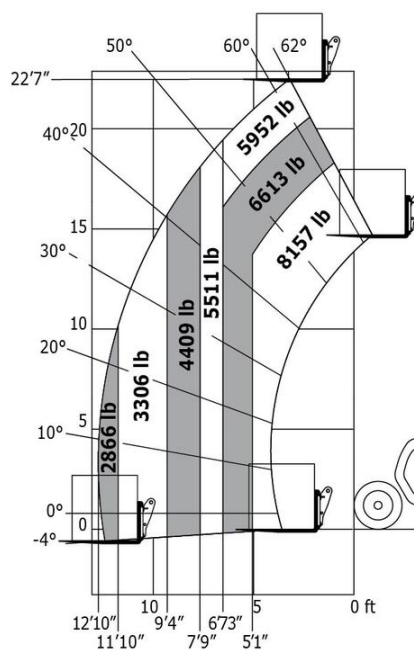


MLT-X 737-130 PS+ - Load chart

Machine on tires with forks Metric



Machine on tires with forks Imperial





**Head Office**

B.P. 249 - 430 rue de l'Aubinière

44150 Ancenis Cedex - France

Tel: +33 (0)2 40 09 10 11 - Fax: +33 (0)2 40 09 10 97

[www.manitou.com](http://www.manitou.com)



This publication provides a description of the configuration versions and options for Manitou products, which may differ for equipment. The equipment presented in this brochure may be part of a series, as an option, or it may not be available, depending on the versions. Manitou reserves the right, at any time and without notice, to amend the specifications described and represented. The specifications provided do not bind the manufacturer. For more details, please contact your Manitou agent. This is not a contractually binding document. The presentation of the products is not contractually binding. List of specifications non-exhaustive. The logos as well as the visual identity of the company are owned by Manitou and cannot be used without authorisation. All rights reserved. The photos and diagrams contained in this brochure are only provided for consultation and information purposes.

MANITOU BF SA - Limited company with board of directors - Share capital: 39,668,399 euros - 857 802 508 RCS Nantes