

Technical sheet :

MLT 630-105 V CP ST4



 **MANITOU**
HANDLING YOUR WORLD

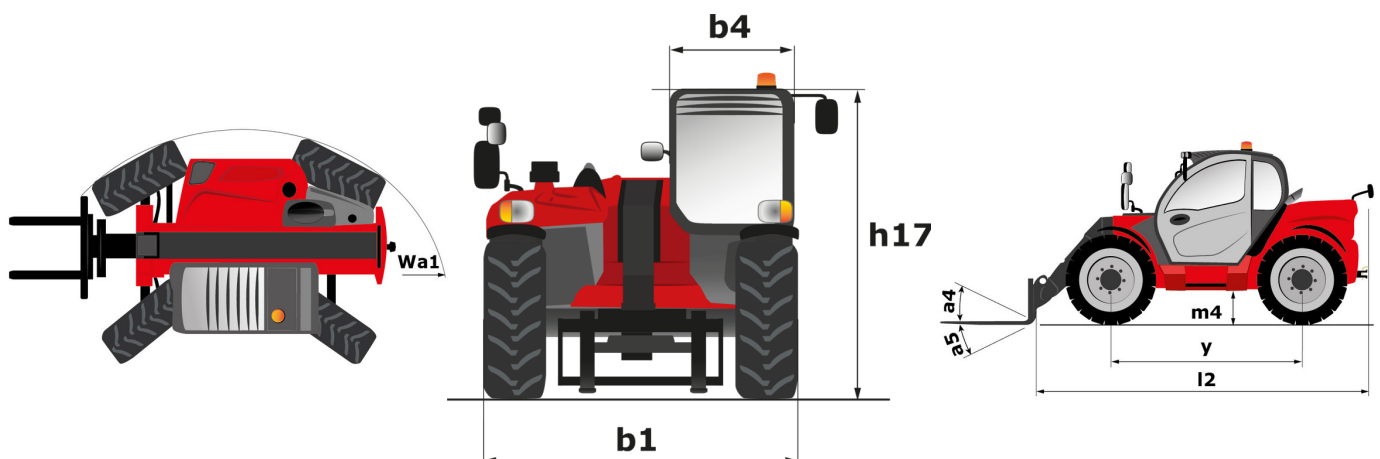
Capacities		Metric	Imperial
Max. capacity	Q	3000 kg	6614 lb
Max. lifting height	h3	6 m	19 ft 8 in
Max. outreach		3.43 m	11 ft 3 in
Reach at max. height		0.90 m	2 ft 11 in
Breakout force with bucket		5840 daN	5840 daN
Weight and dimensions			
Unladen weight (with forks)		6760 kg	14903 lb
Ground clearance	m4	0.28 m	11 in
Wheelbase	y	2.69 m	8 ft 10 in
Overall length to carriage (with hitch)	l11	4.78 m	15 ft 8 in
Front overhang		1.25 m	4 ft 1 in
Overall width	b1	2.06 m	6 ft 9 in
Overall cab width	b4	0.95 m	3 ft 1 in
Overall height	h17	2.14 m	7 ft
Tilt-down angle	a5	133 °	133 °
Tilt-up angle	a4	13 °	13 °
External turning radius (over tyres)	Wa1	3.65 m	12 ft
Standard tires		Alliance - A580 - 400/70 R20 149A8	Alliance - A580 - 400/70 R20 149A8
Drive wheels (front / rear)		2 / 2	2 / 2
Steering wheels (front / rear)		2 / 2	2 / 2
Performances			
Lifting		6.50 s	6.50 s
Lowering		5 s	5 s
Extension		5.40 s	5.40 s
Retraction		3 s	3 s
Crowd		3.40 s	3.40 s
Dump		2.70 s	2.70 s
Engine			
Engine brand		Deutz	Deutz
Engine norm		Stage IV	Stage IV
Engine model		TCD 3,6 l	TCD 3,6 l
Number of cylinders - Capacity of cylinders		4 - 3621 cm ³	4 - 221 in ³
I.C. Engine power rating / Power		101 Hp / 74.40 kW	101 Hp / 74.40 kW
Max. torque / Engine rotation		410 Nm @1600 rpm	302 ft/lbs @1600 rpm
Drawbar pull (Laden)		6540 daN	6540 daN
Reversible fan		Standard	Standard
Engine cooling system		3 radiators water + intercooler + hydraulic oil	3 radiators water + intercooler + hydraulic oil
Transmission			
Transmission type		M-Varioshift	M-Varioshift
Number of gears (forward / reverse)		2 / 2	2 / 2
Max. travel speed (may vary according to applicable regulations)		38 km/h	24 mph
Differential lock		Limited slip differential on front axle	Limited slip differential on front axle
Parking brake		Manual	Manual
Service brake		Oil-Immersed multi-discs braking on front axles	Oil-Immersed multi-discs braking on front axles
Hydraulics			
Hydraulic pump type		Gear pump	Gear pump
Hydraulic flow - Pressure		104 l/min - 250 bar	27 US gpm - 3626 PSI
Flow sharing distributor		Option	Option
Tank capacities			
Fuel tank		78 l	21 US gal
Diesel Exhaust fluid (AdBlue® type)		13 l	3 US gal
Noise and vibration			
Noise at driving position (LpA) tested following NF EN 12053 norm		74 dB	74 dB
Noise to environment (LwA)		105 dB	105 dB
Vibration on hands/arms		< 2.50 m/s ²	< 2.50 m/s ²
Miscellaneous			
Tractor homologation		Tractor homologation	Tractor homologation
Safety cab homologation		Cabin ROPS - FOPS level 2	Cabin ROPS - FOPS level 2
Controls		JSM	JSM

Options / Finishing

S : Standard / O : Optional / - : Not available

	Classic	Premium	Elite
Lifting function			
Boom suspension	-	S/O**	O
Easy Connect System (ECS)	S	S	S
Electrovalve for 2 hydraulic functions (on boom head)	O	O	O
Hydraulic attachment locking	O	O	O
Return pipe to hydraulic oil tank	O	O	O
Operator station			
Active CRC boom suspension	O	O	S
Air conditioning with automatic adjustment	O	-	S
Air conditioning with manual adjustment	O	S/O**	-
Air suspension cloth-covered seat	O	S	-
Automatic wheel alignment	O	O	S
Bluetooth USB car radio with extra microphone (100 W)	O	O	S
Bluetooth USB car radio with integrated microphone (100 W)	O	S	-
Electric mirror with de-icing	O	O	S
Extra front wiper	O	S	S
Harmony screen	S	S	-
Low frequency air suspension cloth-covered seat (GRAMMER)	-	O	-
Low frequency pneumatic cloth seat	O	-	-
Low frequency pneumatic cloth seat with heating (KAB)	-	-	S
Mechanical cloth-covered seat	S	-	-
Tuner car radio (50 W)	S	-	-
Vision screen 7"	O	O	S
Motorization/Power			
Continuous flow hydraulics	O	O	S
Hand throttle	O	O	S
Secondary functions			
Additional fuel tank (25 l)	-	S	S
Automatic rotating towing hitch	O	O	O
Hydraulic pick-up hitch	O	O	O
Hydraulic trailer brake	S	S/O**	S
Ladder hitch with choice of hooks	O	O	O
Manual rotating towing hitch	S	S	S
Lighting			
Flat grid on the roof	O	O	O
Front and rear LED work lights on cab (x4 : 2 front + 2 rear)	O	S	S
Front and rear work lights on cab (x4)	S	-	-
LED + (4 additional work lights)	O	O	O

MLT 630-105 V CP ST4 - Dimensional drawing





Head Office

B.P. 249 - 430 rue de l'Aubinière

44150 Ancenis Cedex - France

Tel: +33 (0)2 40 09 10 11 - Fax: +33 (0)2 40 09 10 97

www.manitou.com



This publication provides a description of the configuration versions and options for Manitou products, which may differ for equipment. The equipment presented in this brochure may be part of a series, as an option, or it may not be available, depending on the versions. Manitou reserves the right, at any time and without notice, to amend the specifications described and represented. The specifications provided do not bind the manufacturer. For more details, please contact your Manitou agent. This is not a contractually binding document. The presentation of the products is not contractually binding. List of specifications non-exhaustive. The logos as well as the visual identity of the company are owned by Manitou and cannot be used without authorisation. All rights reserved. The photos and diagrams contained in this brochure are only provided for consultation and information purposes.

MANITOU BF SA - Limited company with board of directors - Share capital: 39,668,399 euros - 857 802 508 RCS Nantes