

Technical sheet :

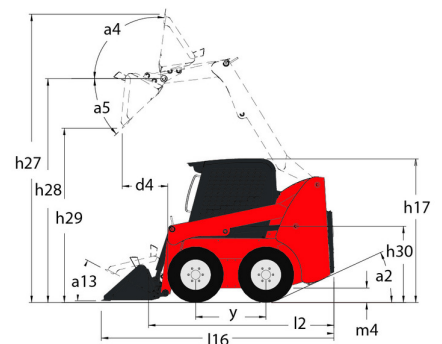
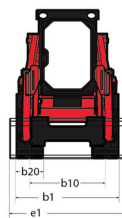
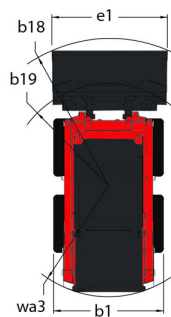
4200V



 **MANITOU**
HANDLING YOUR WORLD

Capacities		Metric	Imperial
Rated Operating Capacity		1905 kg	4200 lb
Unladen weight		5291 kg	11665 lb
Weight and dimensions			
Overall Operating Height - Fully Raised	h27	4745 mm	187 in
Height to Hinge Pin á€ Fully Raised	h28	3647 mm	144 in
Overall Height to top of ROPS	h17	2083 mm	82 in
Dump angle at full height	a5	31 °	31 °
Dump height	h29	2916 mm	115 in
Overall length with bucket	l16	4026 mm	159 in
Dump reach - Full height	r6	1003 mm	39 in
Rollback at ground	a13	31 °	31 °
Seat to ground height	h30	1046 mm	41 in
Wheelbase	y	1387 mm	55 in
Overall width less bucket	b1	2019 mm	79 in
Bucket Width	e1	2134 mm	84 in
Ground clearance	m4	185 mm	7 in
Overall length - Less Bucket	l2	3086 mm	121 in
Departure angle	a2	19 °	19 °
Clearance Radius - Front with Bucket	b18	2248 mm	89 in
Clearance Circle - Front without Bucket	b19	1290 mm	51 in
Clearance Circle - Rear	wa1	1791 mm	71 in
Performances			
Travel Speed with Two-Speed Option - Maximum		18.70 km/h	12 mph
Travel speed (unladen)		10.53 km/h	7 mph
Wheels			
Standard tires		14.00 x 17.5 HD	14.00 x 17.5 HD
Engine			
Engine brand		Deutz	Deutz
Engine model		TCD 3.6	TCD 3.6
Gross Power		74 kW	74 kW
Net Power		97.20 kW	97.20 kW
Max. torque / Engine rotation		442 Nm / 2200 rpm	326 ft/lbs / 2200 rpm
Power source		Diesel	Diesel
Battery voltage		12 V	12 V
Alternator		130 kW	130 kW
Starter		2.30 kW	2.30 kW
Hydraulics			
High-Flow Auxiliary Hydraulics - Option		154 l/min	41 US gpm
Tank capacities			
Fuel tank		39.40 l	10 US gal
Hydraulic tank capacity		63.40 l	17 US gal
Displacement		3.60 l	0.95 US gal
Noise and vibration			
Noise to environment (LwA)		101 dB	101 dB
Noise at driving position (LpA)		85 dB	85 dB
Whole-Body Vibration (ISO 2631-1)		0.79 m/s ²	0.79 m/s ²
Vibration on hands/arms		< 1.20 m/s ²	< 1.20 m/s ²

4200V - Dimensional drawing



Equipment

—	
Integral Access Plate (removable)	Standard
Lifting function	
All-Tach® Attachment Mounting System	Standard
Auxiliary Hydraulics	Standard
High-Flow Auxiliary Hydraulics	Standard
Power-A-Tach® Attachment Mounting System	Standard
Lighting	
Work Lights - Front and Rear	Standard
Motorization/Power	
Engine Auto-Shutdown System	Standard
Engine Block Heater	Standard
Swing-Out Cooler	Standard
Turbo-Charged Engine	Standard
Two-Speed Drive	Standard
Operator station	
Adjustable Arm Rests / Control Towers 1	Standard
Air conditioning with manual adjustment	Standard
Air suspension seat	Standard
Cab Enclosure	Optional
Foot and Hand Throttles 2	Standard
Heating	Standard
High-Back Adjustable Seat	Standard
Hom	Standard
Joystick controls	Standard
ROPS/FOPS Level II Overhead Guard	Standard
Other options	
Hydrostatic Drive - Servo	Standard
Selectable Self-Leveling Hydraulic Lift Action 4	Standard
Secondary functions	
Full Instrumentation	Standard
Hydraglide™ Ride Control 3	Standard
Security	
Anti-Vandalism Protection	Standard
Back-Up Alarm	Standard
Brake Control (Auto / Manual)	Standard
Hyaloc™ Safety System	Standard
Lift Arm Support Device	Standard
Operator Restraint Bar	Standard



Head Office

B.P. 249 - 430 rue de l'Aubinière

44150 Ancenis Cedex - France

Tel: +33 (0)2 40 09 10 11 - Fax: +33 (0)2 40 09 10 97

www.manitou.com



This publication provides a description of the configuration versions and options for Manitou products, which may differ for equipment. The equipment presented in this brochure may be part of a series, as an option, or it may not be available, depending on the versions. Manitou reserves the right, at any time and without notice, to amend the specifications described and represented. The specifications provided do not bind the manufacturer. For more details, please contact your Manitou agent. This is not a contractually binding document. The presentation of the products is not contractually binding. List of specifications non-exhaustive. The logos as well as the visual identity of the company are owned by Manitou and cannot be used without authorisation. All rights reserved. The photos and diagrams contained in this brochure are only provided for consultation and information purposes.

MANITOU BF SA - Limited company with board of directors - Share capital: 39,668,399 euros - 857 802 508 RCS Nantes