

Technical sheet :

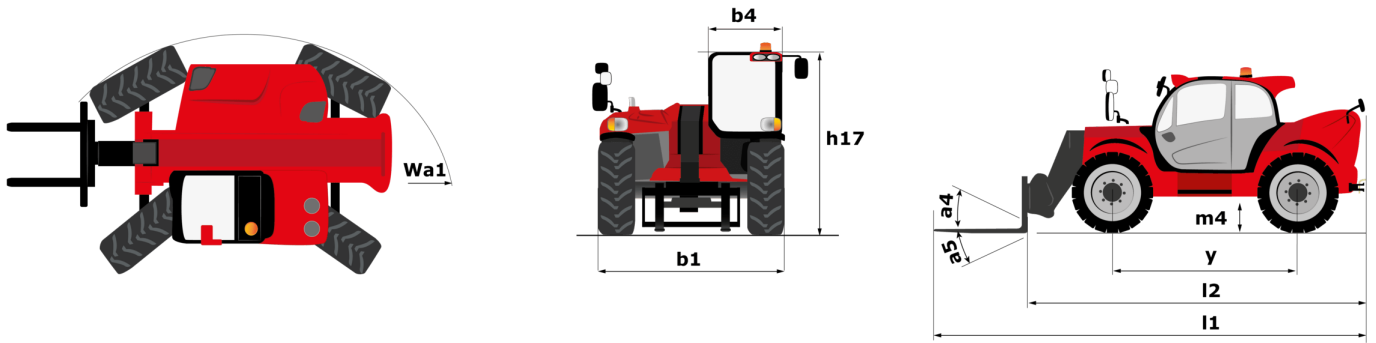
MHT 12330



 **MANITOU**
HANDLING YOUR WORLD

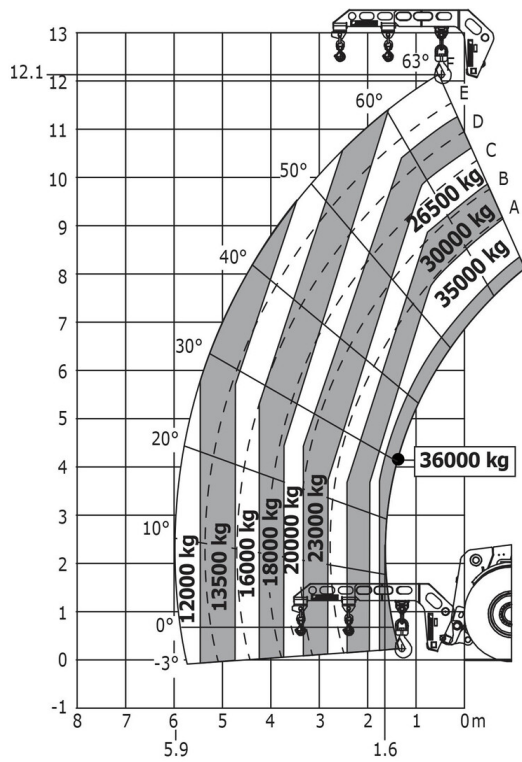
Capacities		Metric	Imperial
Max. capacity		33000 kg	72753 lb
Load center of gravity	c	1200 mm	47 in
Max. lifting height		11.92 m	39 ft 1 in
Max. outreach		6.60 m	21 ft 8 in
Weight and dimensions			
Overall length	l1	10.77 m	35 ft 4 in
Unladen weight (with forks)		49000 kg	108027 lb
Ground clearance	m4	0.59 m	1 ft 11 in
Wheelbase	y	4.90 m	16 ft 1 in
Length to face of forks	l2	8.37 m	27 ft 6 in
Overall width	b1	2.98 m	9 ft 9 in
Overall height	h17	3.60 m	11 ft 10 in
Overall cab width	b4	0.97 m	3 ft 2 in
Tilt-up angle	a4	10 °	10 °
Tilt-down angle	a5	100 °	100 °
External turning radius (over tyres)	Wa1	7.42 m	24 ft 4 in
Outer turning radius (with forks)	b15	9.33 m	30 ft 7 in
Forks length / width / section	l / e / s	2400 mm x 110 mm / 250 mm	94 in x 4 in / 10 in
Frame leveling corrector	a9	6 °	6 °
Wheels			
Standard tires		21.00 R35	21.00 R35
Number of front wheels / rear wheels		2 / 2	2 / 2
Steering wheels (front / rear)		4 / 4	4 / 4
Drive wheels (front / rear)		2 / 2	2 / 2
Steering mode		2 wheel steer, 4 wheel steer, Crab mode	2 wheel steer, 4 wheel steer, Crab mode
Engine			
Engine brand		Deutz	Deutz
Engine norm		Stage V / Tier 4 final	Stage V / Tier 4 final
Engine model		TCD 6.1 L6	TCD 6.1 L6
Number of cylinders / Capacity of cylinders		6 - 6100 cm ³	6 - 372 in ³
I.C. Engine power rating / Power		245 Hp / 180 kW	245 Hp / 180 kW
Max. torque / Engine rotation		1000 Nm@1450 rpm	738 ft/lbs@1450 rpm
Engine cooling system		Water	Water
Number of batteries		2	2
Battery voltage		12 V	12 V
Drawbar pull		28400 daN	28400 daN
Transmission			
Transmission type		Hydrostatic with Powershift	Hydrostatic with Powershift
Number of gears (forward / reverse)		3 / 3	3 / 3
Max. travel speed		25 km/h	16 mph
Parking brake		Automatic negative parking brake	Automatic negative parking brake
Service brake		Oil-immersed multi-discs braking on front & rear axles	Oil-immersed multi-discs braking on front & rear axles
Gradeability (laden)		36 %	36 %
Hydraulics			
Hydraulic pump type		Variable displacement pump	Variable displacement pump
Hydraulic flow - Pressure		310 l/min - 350 bar	82 US gpm - 5076 PSI
Tank capacities			
Engine oil		21 l	6 US gal
Hydraulic oil		570 l	151 US gal
Fuel tank		600 l	159 US gal
Diesel Exhaust fluid (AdBlue® type)		32 l	8 US gal
Noise and vibration			
Noise at driving position (LpA)		80 dB	80 dB
Noise to environment (LwA)		107 dB	107 dB
Vibration on hands/arms		< 2.50 m/s ²	< 2.50 m/s ²
Miscellaneous			
Safety cab homologation		Cabin ROPS - FOPS level 2	Cabin ROPS - FOPS level 2
Controls		JSM	JSM
Attachment recognition system (E-Reco)		Standard	Standard

MHT 12330 - Dimensional drawing



MHT 12330 - Load chart

Machine on tires with jib Metric



Mining Specifications



Head Office

B.P. 249 - 430 rue de l'Aubinière

44150 Ancenis Cedex - France

Tel: +33 (0)2 40 09 10 11 - Fax: +33 (0)2 40 09 10 97

www.manitou.com



This publication provides a description of the configuration versions and options for Manitou products, which may differ for equipment. The equipment presented in this brochure may be part of a series, as an option, or it may not be available, depending on the versions. Manitou reserves the right, at any time and without notice, to amend the specifications described and represented. The specifications provided do not bind the manufacturer. For more details, please contact your Manitou agent. This is not a contractually binding document. The presentation of the products is not contractually binding. List of specifications non-exhaustive. The logos as well as the visual identity of the company are owned by Manitou and cannot be used without authorisation. All rights reserved. The photos and diagrams contained in this brochure are only provided for consultation and information purposes.

MANITOU BF SA - Limited company with board of directors - Share capital: 39,668,399 euros - 857 802 508 RCS Nantes