

RS 4-14 GEN. 3

RS

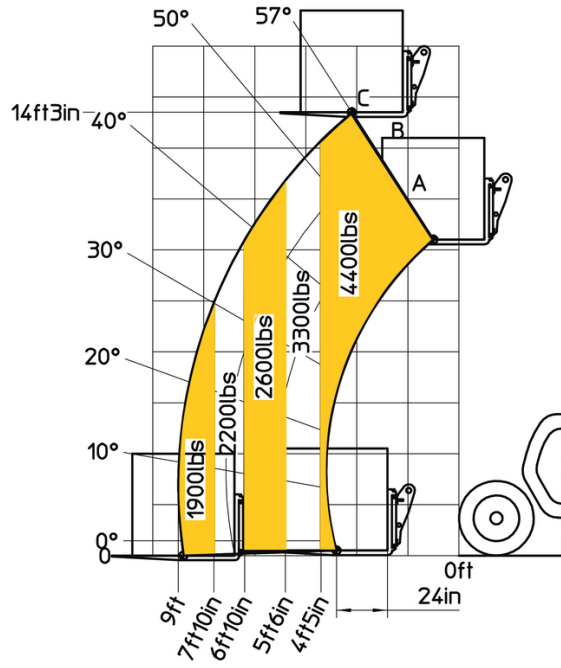


GEHL®

| Capacities | | Metric | Imperial |
|---|-----|--------------------------------|--------------------------------|
| Max. capacity | | 1995.81 kg | 4400 lb |
| Max. lifting height | | 4.34 m | 14 ft 3 in |
| Max. outreach | | 2.74 m | 9 ft |
| Breakout force with bucket | | 1886 daN | 1886 daN |
| Weight and dimensions | | | |
| Overall length to carriage | l11 | 3.64 m | 11 ft 11 in |
| Overall width | b1 | 1.49 m | 4 ft 11 in |
| Overall height | h17 | 1.91 m | 6 ft 3 in |
| Wheelbase | y | 2.13 m | 7 ft |
| Ground clearance | m4 | 0.24 m | 9 in |
| Overall cab width | b4 | 0.80 m | 2 ft 7 in |
| Tilt-up angle | a4 | 12 ° | 12 ° |
| Tilt-down angle | a5 | 116 ° | 116 ° |
| External turning radius (over tyres) | Wa1 | 3.07 m | 10 ft 1 in |
| Unladen weight (with forks) | | 4190 kg | 9237 lb |
| Overall weight | | 4189.83 kg | 9237 lb |
| Tyres type | | Pneumatic | Pneumatic |
| Standard tyres | | Camso SKS-532 - 12 - 16.5-12PR | Camso SKS-532 - 12 - 16.5-12PR |
| Engine | | | |
| Engine brand | | Kubota | Kubota |
| Engine norm | | Stage V | Stage V |
| Engine model | | 2607-CR-E5 | 2607-CR-E5 |
| Number of cylinders / Capacity of cylinders | | 4 - 2615 cm ³ | 4 - 160 in ³ |
| I.C. Engine power rating - Power (kW) | | 41.98 kW / 42 kW | 56 Hp / 56 Hp |
| Max. torque / Engine rotation | | 174 Nm @ 2700 rpm | 128 ft/lbs @ 2700 rpm |
| Drawbar pull (Laden) | | 2850 daN | 2850 daN |
| Transmission | | | |
| Transmission type | | Hydrostatic | Hydrostatic |
| Number of gears (forward / reverse) | | 2 / 2 | 2 / 2 |
| Max. travel speed | | 25 km/h | 16 mi/h |
| Parking brake | | Automatic negative brake | Automatic negative brake |
| Service brake | | Disk brake on the cadran shaft | Disk brake on the cadran shaft |
| Axle Manufacturer | | Dana | Dana |
| Hydraulics | | | |
| Hydraulic pump type | | Gear pump | Gear pump |
| Hydraulic flow / Pressure | | 77.41 l/min / 235 bar | 20 US gpm / 3408 PSI |
| Tank capacities | | | |
| Engine oil | | 10.20 l | 3 US gal |
| Hydraulic oil | | 68.14 l | 18 US gal |
| Fuel tank | | 60 l | 16 US gal |
| Noise and vibration | | | |
| Noise at driving position (LpA) | | 76 dB | 76 dB |
| Noise to environment (LwA) | | 104 dB | 104 dB |
| Vibration on hands/arms | | < 2.50 m/s ² | < 2.50 m/s ² |
| Miscellaneous | | | |
| Steering wheels (front / rear) | | 2 / 2 | 2 / 2 |
| Drive wheels (front / rear) | | 2 / 2 | 2 / 2 |
| Safety / Safety cab homologation | | Standard EN 15000 / ROPS/FOPS | Standard EN 15000 / ROPS/FOPS |
| Controls | | Single joystick with FNR | Single joystick with FNR |

RS 4-14 Gen: 3 - Load chart

Load Chart imperial





GEHL®

Siège Social

P.O. Box 179 - One Gehl Way - West Bend, WI, USA 53095

Tel: (262) 334-9461 - Fax: (262) 338-7517

www.gehl.com



This brochure describes versions and configuration options for Gehl products which may be fitted with different equipment. The equipment described in this brochure may be standard, optional or not available depending on version. Gehl reserves the right to change the specifications shown and described at any time and without prior warning. The manufacturer is not liable for the specifications given. For more information, contact your Gehl dealer. Non-contractual document. Product descriptions may differ from actual products. List of specifications is not comprehensive. The logos and visual identity of the company are the property of Gehl and may not be used without authorization. All rights reserved. The photos and diagrams contained in this brochure are provided for information only.

MANITOU EQUIPMENT AMERICAS, LLC - Limited company with board of directors - Share capital: 39,668,399 euros - 857 802 508 RCS West Bend