

Technical sheet :

# M-X 30-4

---

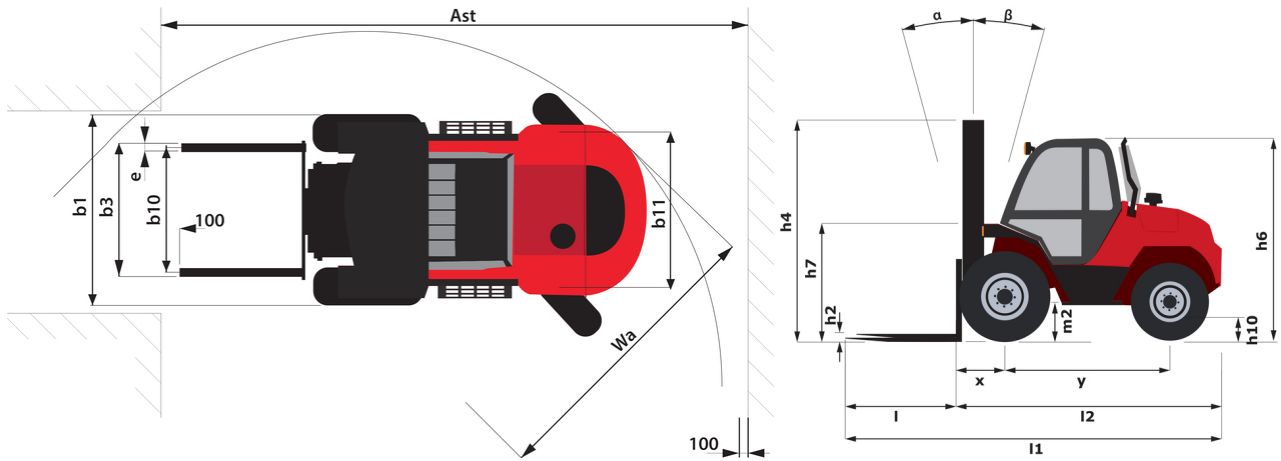


---

 **MANITOU**  
HANDLING YOUR WORLD

Technical characteristics		Imperial	
1.1	Manufacturer		Manitou
1.2	Model Name		M-X 30-4
1.3	Power source		Diesel
1.4	Operator type		Seated
1.5	Max. capacity	Q	6614 lb
1.6	Load center of gravity	c	20 in
1.8	Load distance, centre of drive axle to fork	x	32 in
1.9	Wheelbase	y	83 in
Weight			
2.1	Service weight		11729 lb
2.2	Weight on front axle (laden) / rear axle (laden)		14440 lb / 3020 lb
2.3	Weight on front axle (Unladen) / rear axle (Unladen)		5225 lb / 6504 lb
Wheels			
3.1	Tires type		Pneumatic
3.3	Dimensions of rear wheels		10,5/80-18 10PR TG42 TL
3.5	Number of front wheels / rear wheels		2 / 2
3.5.2	Number of drive wheels		4
3.6	Front wheel gauge	b10	66 in
Dimensions			
4.7	Height of overhead guard (cabin)	h6	100 in
4.19	Overall length	l1	190 in
4.20	Length to face of forks	l2	143 in
4.21	Overall width	b1	83 in
4.23	Fork carriage ISO 2328 (class/form) A/B		3A
4.24	Fork carriage width	b3	58 in
4.31	Ground clearance below mast	m1	19 in
4.32	Ground clearance at centre of wheelbase	m2	16 in
4.35	Turning radius	Wa	160 in
Performances			
5.1	Travel speed (laden / unladen)		17 mph / 17 mph
5.2	Lifting speed (laden / unladen)		2 ft/s / 2 ft/s
5.3	Lowering speed (laden / unladen)		2 ft/s / 2 ft/s
5.5	Drawbar pull (Laden / Unladen)		5685 daN / 3665 daN
5.10	Service brake		Hydraulic
Engine			
7.1	Engine brand / model		Perkins / 1104D-44T NL38894
7.3	Rated speed		2360 rpm
Miscellaneous			
8.1	Type of drive control		Hydraulic

### M-X 30-4 - Dimensional drawing



## Characteristics of masts and residual capacities

		FLT 55
α - Mast/fork carriage tilt, forward	°	6
β - Mast/fork carriage tilt, backward	°	12
h1 - Mast lowered height	in	0.10
h2 - Mast free lift	in	0.10
h4 - Mast extended height	in	257.2
Height at max capacity	in	98.4

Full Visibility Duplex (FVD)		FVD 30	FVD 33	FVD 35	FVD 37	FVD 40	FVD 45	FVD 50	FVD 55	FVD 60
α - Mast/fork carriage tilt, forward	°	6	6	6	6	6	6	6	6	6
β - Mast/fork carriage tilt, backward	°	12	12	12	12	12	12	12	12	12
h1 - Mast lowered height	in	93.5	99.4	103.3	109.6	117.1	127	136.8	146.7	156.5
h2 - Mast free lift	in	5.1	5.1	5.1	5.1	5.1	5.1	5.1	5.1	5.1
h4 - Mast extended height	in	162	173.8	181.7	189.6	201.4	221.1	240.7	260.4	280.1
Residual capacity at max height	lb								3307	
Height at max capacity	in	98.4	98.4	98.4	98.4	98.4	98.4	98.4	98.4	98.4

Free Lift Triplex (FLT)		FLT 37	FLT 40	FLT 43	FLT 47	FLT 50	FLT 60
α - Mast/fork carriage tilt, forward	°	6	6	6	6	6	6
β - Mast/fork carriage tilt, backward	°	12	12	12	12	12	12
h1 - Mast lowered height	in	89.6	93.5	99.4	103.3	109.6	127
h2 - Mast free lift	in	50.5	54.4	60.4	64.3	70.6	87.9
h4 - Mast extended height	in	186.3	198.1	209.9	225.7	237.5	276.9
Residual capacity at max height	lb	6614	6614	5512	4960	3307	
Residual capacity with integrated side shift at max height	lb			5512	3858	2756	
Height at max capacity	in	98.4	98.4	98.4	98.4	98.4	98.4

		FVT 55
α - Mast/fork carriage tilt, forward	°	6
β - Mast/fork carriage tilt, backward	°	12
h1 - Mast lowered height	in	120.3
h4 - Mast extended height	in	264.8
Residual capacity at max height	lb	4630
Height at max capacity	in	98.4



**Head Office**

B.P. 249 - 430 rue de l'Aubinière

44150 Ancenis Cedex - France

Tel: +33 (0)2 40 09 10 11 - Fax: +33 (0)2 40 09 10 97

[www.manitou.com](http://www.manitou.com)



This publication provides a description of the configuration versions and options for Manitou products, which may differ for equipment. The equipment presented in this brochure may be part of a series, as an option, or it may not be available, depending on the versions. Manitou reserves the right, at any time and without notice, to amend the specifications described and represented. The specifications provided do not bind the manufacturer. For more details, please contact your Manitou agent. This is not a contractually binding document. The presentation of the products is not contractually binding. List of specifications non-exhaustive. The logos as well as the visual identity of the company are owned by Manitou and cannot be used without authorisation. All rights reserved. The photos and diagrams contained in this brochure are only provided for consultation and information purposes.

MANITOU BF SA - Limited company with board of directors - Share capital: 39,668,399 euros - 857 802 508 RCS Nantes