

Technical sheet :

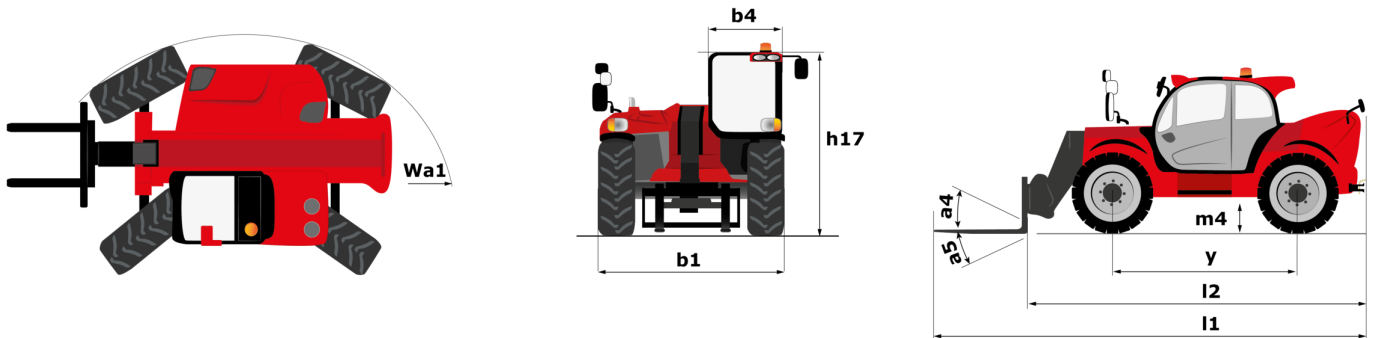
# **MHT-X 14350**

---



Capacities		Metric
Max. capacity		35000 kg
Load center of gravity	c	1200 mm
Max. lifting height		13.60 m
Max. outreach		8.50 m
Weight and dimensions		
Overall length	l1	10.93 m
Unladen weight (with forks)		69000 kg
Ground clearance	m4	0.68 m
Wheelbase	y	5.70 m
Length to face of forks	l2	10.93 m
Overall width	b1	3.53 m
Overall height	h17	3.82 m
Tilt-up angle	a4	15 °
Tilt-down angle	a5	107 °
External turning radius (over tyres)	Wa1	7.32 m
Outer turning radius (with forks)	b15	10.07 m
Forks length / width / section	l / e / s	2400 mm x 300 mm / 135 mm
Wheels		
Standard tires		24.00 R35
Number of front wheels / rear wheels		2 / 2
Steering wheels (front / rear)		2 / 2
Drive wheels (front / rear)		2 / 2
Steering mode		2 wheel steer, 4 wheel steer, Crab mode
Engine		
Engine brand		Mercedes
Engine nom		Stage IIIA
Engine model		OM 926 LA
Number of cylinders / Capacity of cylinders		6 - 7200 cm³
I.C. Engine power rating / Power		326 Hp / 240 kW
Max. torque / Engine rotation		1600 Nm@1600 rpm
Engine cooling system		Water
Drawbar pull		33000 daN
Transmission		
Transmission type		Hydrostatic with Powershift
Number of gears (forward / reverse)		3 / 3
Max. travel speed		25 km/h
Parking brake		Automatic Negative Hand-brake
Service brake		Hydraulic
Hydraulics		
Hydraulic pump type		Variable pump
Hydraulic flow - Pressure		400 l/min - 350 bar
Tank capacities		
Engine oil		29 l
Fuel tank		720 l
Noise and vibration		
Noise to environment (LwA)		107 dB
Vibration on hands/arms		< 2.50 m/s²
Miscellaneous		
Safety cab homologation		Cabin ROPS - FOPS level 2
Controls		JSM
Attachment recognition system (E-Reco)		Standard

### MHT-X 14350 - Dimensional drawing





**Head Office**

B.P. 249 - 430 rue de l'Aubinière

44150 Ancenis Cedex - France

Tel: +33 (0)2 40 09 10 11 - Fax: +33 (0)2 40 09 10 97

[www.manitou.com](http://www.manitou.com)



This publication provides a description of the configuration versions and options for Manitou products, which may differ for equipment. The equipment presented in this brochure may be part of a series, as an option, or it may not be available, depending on the versions. Manitou reserves the right, at any time and without notice, to amend the specifications described and represented. The specifications provided do not bind the manufacturer. For more details, please contact your Manitou agent. This is not a contractually binding document. The presentation of the products is not contractually binding. List of specifications non-exhaustive. The logos as well as the visual identity of the company are owned by Manitou and cannot be used without authorisation. All rights reserved. The photos and diagrams contained in this brochure are only provided for consultation and information purposes.

MANITOU BF SA - Limited company with board of directors - Share capital: 39,668,399 euros - 857 802 508 RCS Nantes