

Technical sheet :

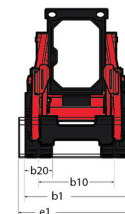
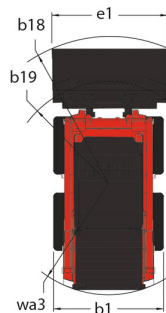
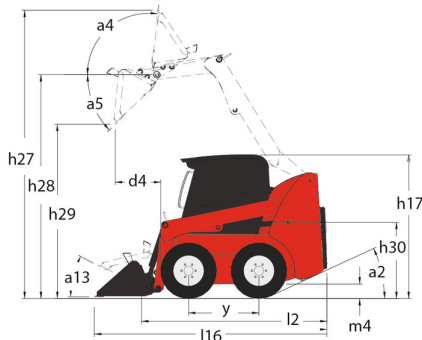
1340 R



 **MANITOU**
HANDLING YOUR WORLD

Capacities		Imperial
Rated Operating Capacity		1349 lb
Unladen weight		4850 lb
Tipping capacity		2698 lb
Weight and dimensions		
Overall Operating Height - Fully Raised	h27	141 in
Height to Hinge Pin - Fully Raised	h28	110 in
Overall Height to Top of ROPS	h17	72 in
Dump angle at full height	a5	42 °
Dump height	h29	86 in
Overall length with bucket	l16	116 in
Dump reach - Full height	r6	21 in
Rollback at ground		29 °
Rollback Angle at Full Height	a4	99 °
Seat to ground height	h30	34 in
Wheelbase	y	36 in
Overall width less bucket	b1	53 in
Bucket Width	e1	61 in
Ground clearance	m4	692 ft 3 in
Overall length - Less Bucket	l2	91 in
Departure angle	a2	29 °
Clearance Radius - Front with Bucket	b18	69 in
Clearance Circle - Front without Bucket	b19	43 in
Clearance Circle - Rear	wa1	58 in
Performances		
Travel speed (unladen)		7 mi/h
Wheels		
Transmission type		Hydrostatic
Standard tyres		10X 16.5 - 10 PR Heavy Duty
Number of drive wheels		4
Engine		
Engine brand		Yanmar
Engine model		4TNV88
Engine norm		BS-III
Gross Power (kW)		49 Hp
Max. torque / Engine rotation		142 Nm / 1600 rpm
Power source		Diesel
Number of cylinders		4
Engine cooling system		Water cooled
Battery		12 V
Alternator - Ampere		55 A
Starter (kW)		3 kW
Hydraulics		
Auxiliary Hydraulic Pressure		2756 PSI
High-Flow Auxiliary Hydraulics - Option		63.40 l/min
Tank capacities		
Fuel tank		12 US gal
Reservoir Capacity Hydraulics		8 US gal
Displacement		0.58 US gal
Coolant system capacity		2 US gal
LH Chain case		2 US gal
RH Chain case		2 US gal

1340 R - Dimensional drawing



Equipment

Lifting function	
All-Tach® Attachment Mounting System	Standard
Auxiliary Hydraulics	Standard
Lighting	
Work Lights - Front and Rear	Standard
Motorization/Power	
Engine Block Heater	Standard
Operator station	
Cabin Rops and fops level I	Standard
Hand/Foot Controls	Optional
Hom	Optional
Sound Reduction Material	Standard
Suspension Seat - Mechanical	Standard
T-Bar control	Standard
Other options	
Selectable Self-Leveling Hydraulic Lift Action 4	Optional
Pneumatics	
Camso Tyres Option	Optional
Secondary functions	
Full Instrumentation	Standard
Security	
Anti-Vandalism Protection	Standard
Back-Up Alarm	Optional
Hydraloc™ Safety System	Standard
Operator Restraint Bar	Standard



Siège Social

430 rue de l'Aubinière - 44150 Ancenis Cedex - France

Tel: +33(0)2 40 09 10 11 - Fax: +33 (0)2 40 09 10 97

www.manitou.com



This brochure describes versions and configuration options for Manitou products which may be fitted with different equipment. The equipment described in this brochure may be standard, optional or not available depending on version. Manitou reserves the right to change the specifications shown and described at any time and without prior warning. The manufacturer is not liable for the specifications given. For more information, contact your Manitou dealer. Non-contractual document. Product descriptions may differ from actual products. List of specifications is not comprehensive. The logos and visual identity of the company are the property of Manitou and may not be used without authorisation. All rights reserved. The photos and diagrams contained in this brochure are provided for information only.

MANITOU BF SA - Limited company with board of directors - Share capital: 39,668,399 euros - 857 802 508 RCS Nantes